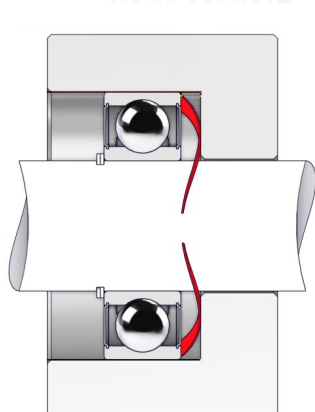


# BORRELLY

## RONDELLES ONDULÉES



### TECHNICAL SHEET STANDARD RANGE SINGLE TURN GAP C75 TYPE STEEL FOR BEARING

REFERENCE BORRELLY	OU22
Outer diameter of the bearing (mm)	22
Borrelly part code	RD0223U124030XT
Material	Carbon Steel type C75
Standard references for the bearing mounting on outer ring	EL8-608 R7-627
Operates in Bore Ø min (for application other than bearing preload) (mm)	22
Clears Shaft Ø max (for application other than bearing preload) (mm)	16.8
Approximate wire section (mm)	2,4 x 0,30
Number of waves	3
Approximate free height (mm)	2.8
Recommended installation height (mm)	1.45
Approximate spring rate (N/mm)	43