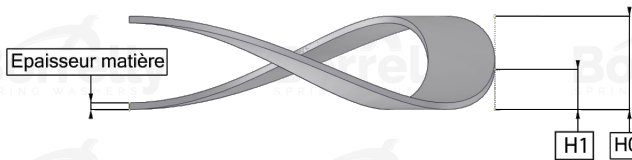
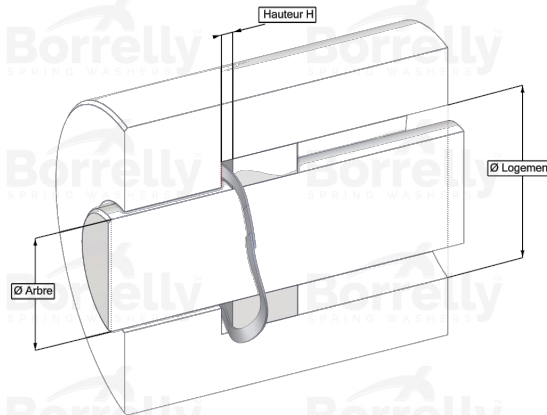
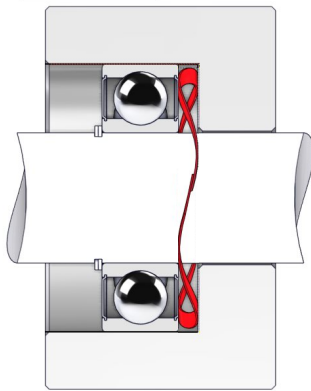


BORRELLY ONDUFIL WAVE SPRINGS



TECHNICAL SHEET PRECISION RANGE SINGLE TURN OVERLAP 17-7PH STAINLESS STEEL FOR BEARING

REFERENCE BORRELLY	OJP100S
Outer diameter of the bearing (mm)	100
Borrelly part code	RP1005J160080168
Material	Stainless steel 17-7 Ph 1.4568
Standard references for the bearing mounting on outer ring	6013 6211 6309 6407
Operates in Bore Ø min (for application other than bearing preload) (mm)	100
Clears Shaft Ø max (for application other than bearing preload) (mm)	87.0
Approximate wire section (mm)	6,0 x 0,80
Number of waves	5
Approximate free height H0 (mm)	4.5
Working height H1 (mm)	2.80
Load P1 ±15% (N)	285
Minimum working height	2 wire thickness

