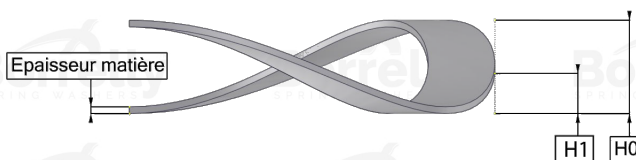
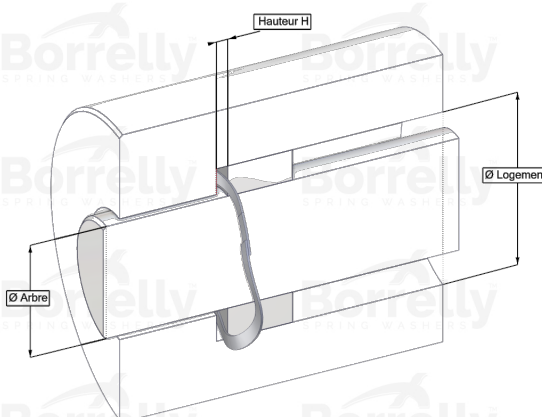
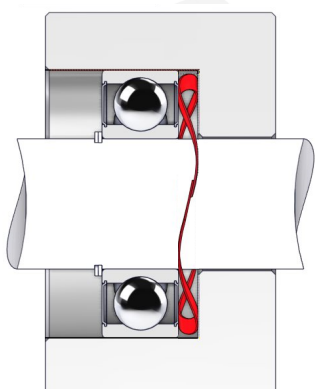


BORRELLY ONDUFIL WAVE SPRINGS



TECHNICAL SHEET PRECISION RANGE SINGLE TURN OVERLAP 17-7PH STAINLESS STEEL FOR BEARING

REFERENCE BORRELLY	OJP26S
Outer diameter of the bearing (mm)	26
Borrelly part code	RP0263J126045168
Material	Stainless steel 17-7 Ph 1.4568
Standard references for the bearing mounting on outer ring	6000 R9-629
Operates in Bore Ø min (for application other than bearing preload) (mm)	26
Clears Shaft Ø max (for application other than bearing preload) (mm)	20.4
Approximate wire section (mm)	2,6 x 0,45
Number of waves	3
Approximate free height H0 (mm)	3.0
Working height H1 (mm)	2.00
Load P1 ±15% (N)	70
Minimum working height	2 wire thickness

