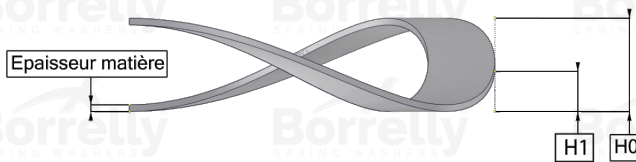
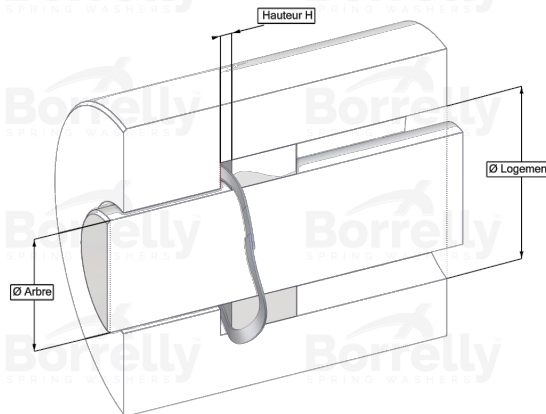
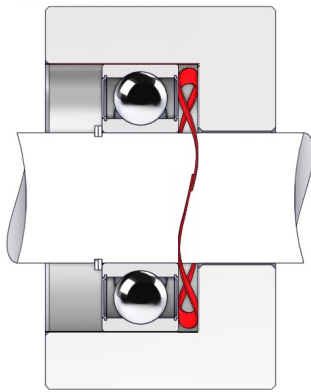


BORRELLY

RONDELLES ONDULÉES



TECHNICAL SHEET PRECISION RANGE SINGLE TURN OVERLAP 17-7PH STAINLESS STEEL FOR BEARING

REFERENCE BORRELLY	OJP22S
Outer diameter of the bearing (mm)	22
Borrelly part code	RP0223J124030168
Material	Stainless steel 17-7 Ph 1.4568
Standard references for the bearing mounting on outer ring	EL8-608 R7-627
Operates in Bore Ø min (for application other than bearing preload) (mm)	22
Clears Shaft Ø max (for application other than bearing preload) (mm)	16.8
Approximate wire section (mm)	2,4 x 0,30
Number of waves	3
Approximate free height H0 (mm)	2.8
Working height H1 (mm)	1.45
Load P1 ±15% (N)	58
Minimum working height	2 wire thickness

