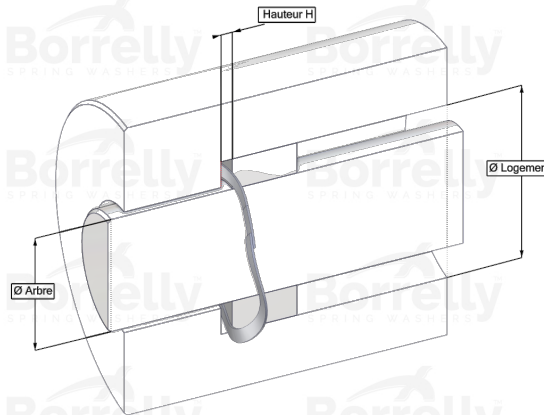
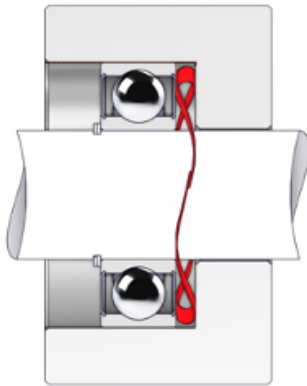


BORRELLY ONDUFIL WAVE SPRINGS



TECHNICAL SHEET STANDARD RANGE SINGLE TURN OVERLAP 17-7PH STAINLESS STEEL FOR BEARING

REFERENCE BORRELLY	OJ120S
Outer diameter of the bearing (mm)	120
Borrelly part code	RD1205J160080168
Material	Stainless steel 17-7 Ph 1.4568
Standard references for the bearing mounting on outer ring	6213 6311 6409
Operates in Bore Ø min (for application other than bearing preload) (mm)	120
Clears Shaft Ø max (for application other than bearing preload) (mm)	107.0
Approximate wire section (mm)	6,0 x 0,80
Number of waves	5
Approximate free height (mm)	6.6
Recommended installation height (mm)	3.20
Approximate spring rate (N/mm)	98
Minimum working height	2 wire thickness