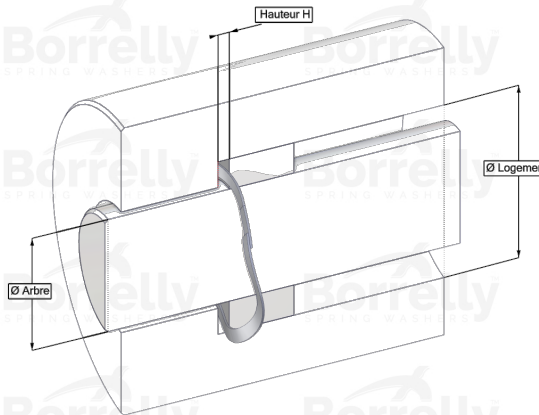
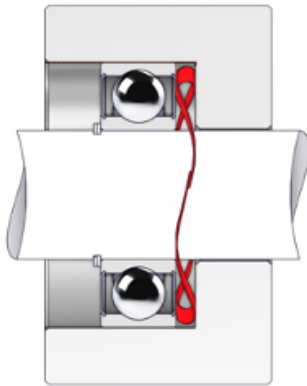


# BORRELLY ONDUFIL WAVE SPRINGS



## TECHNICAL SHEET STANDARD RANGE SINGLE TURN OVERLAP 17-7PH STAINLESS STEEL FOR BEARING

REFERENCE BORRELLY	OJ105S
Outer diameter of the bearing (mm)	105
Borrelly part code	RD1055J160080168
Material	Stainless steel 17-7 Ph 1.4568
Standard references for the bearing mounting on outer ring	61915
Operates in Bore Ø min (for application other than bearing preload) (mm)	105
Clears Shaft Ø max (for application other than bearing preload) (mm)	92.0
Approximate wire section (mm)	6,0 x 0,80
Number of waves	5
Approximate free height (mm)	4.8
Recommended installation height (mm)	2.80
Approximate spring rate (N/mm)	146
Minimum working height	2 wire thickness