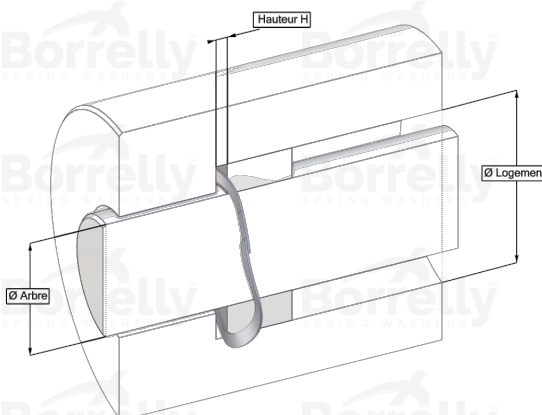
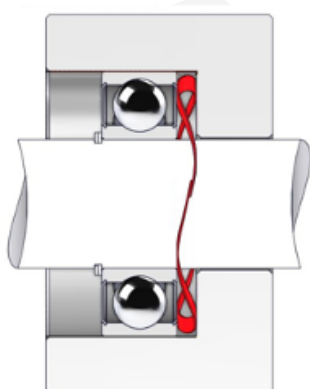


# BORRELLY ONDUFIL WAVE SPRINGS



## TECHNICAL SHEET STANDARD RANGE SINGLE TURN OVERLAP 17-7PH STAINLESS STEEL FOR BEARING

| REFERENCE BORRELLY   | OJ100S                         |
|--|--------------------------------|
| Outer diameter of the bearing (mm)                                       | 100                            |
| Borrelly part code   | RD1005J160080168               |
| Material   | Stainless steel 17-7 Ph 1.4568 |
| Standard references for the bearing mounting on outer ring               | 6013 6211 6309 6407            |
| Operates in Bore Ø min (for application other than bearing preload) (mm) | 100                            |
| Clears Shaft Ø max (for application other than bearing preload) (mm)     | 87.0                           |
| Approximate wire section (mm)  | 6,0 x 0,80                     |
| Number of waves  | 5                              |
| Approximate free height (mm)   | 4.5                            |
| Recommended installation height (mm)                                     | 2.80                           |
| Approximate spring rate (N/mm)   | 167                            |
| Minimum working height   | 2 wire thickness               |