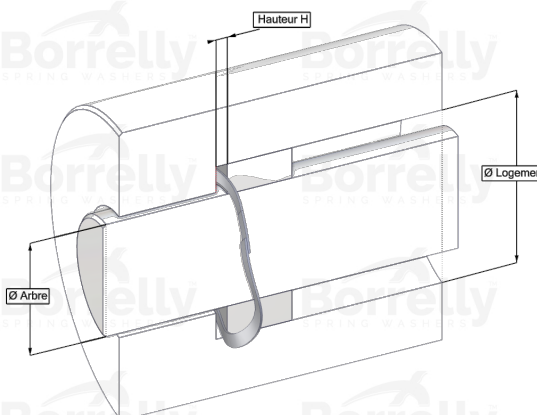
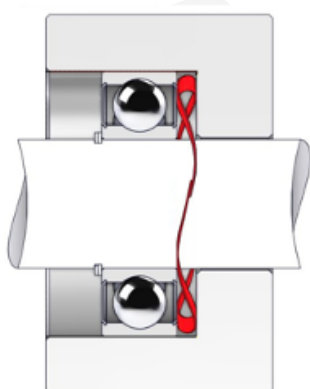


# BORRELLY ONDUFIL WAVE SPRINGS



## TECHNICAL SHEET STANDARD RANGE SINGLE TURN OVERLAP 17-7PH STAINLESS STEEL FOR BEARING

REFERENCE BORRELLY	OJ90S
Outer diameter of the bearing (mm)	90
Borrelly part code	RD0904J160080168
Material	Stainless steel 17-7 Ph 1.4568
Standard references for the bearing mounting on outer ring	6011 6210 6308 6406
Operates in Bore Ø min (for application other than bearing preload) (mm)	90
Clears Shaft Ø max (for application other than bearing preload) (mm)	77.0
Approximate wire section (mm)	6,0 x 0,80
Number of waves	4
Approximate free height (mm)	6.0
Recommended installation height (mm)	2.80
Approximate spring rate (N/mm)	78
Minimum working height	2 wire thickness