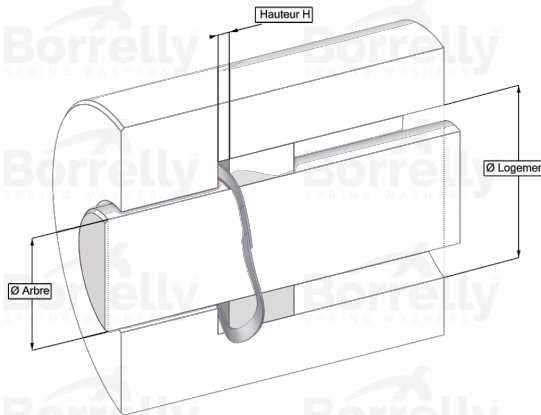
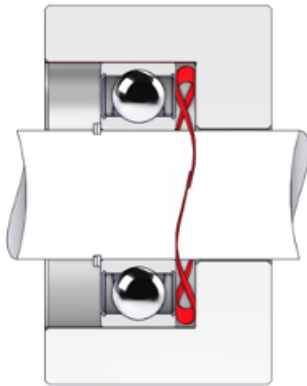


# BORRELLY ONDUFIL WAVE SPRINGS



## TECHNICAL SHEET STANDARD RANGE SINGLE TURN OVERLAP 17-7PH STAINLESS STEEL FOR BEARING

REFERENCE BORRELLY	OJ72S
Outer diameter of the bearing (mm)	72
Borrelly part code	RD0724J155070168
Material	Stainless steel 17-7 Ph 1.4568
Standard references for the bearing mounting on outer ring	6207 6306 6404
Operates in Bore Ø min (for application other than bearing preload) (mm)	72
Clears Shaft Ø max (for application other than bearing preload) (mm)	60.4
Approximate wire section (mm)	5,5 x 0,70
Number of waves	4
Approximate free height (mm)	4.6
Recommended installation height (mm)	2.80
Approximate spring rate (N/mm)	116
Minimum working height	2 wire thickness