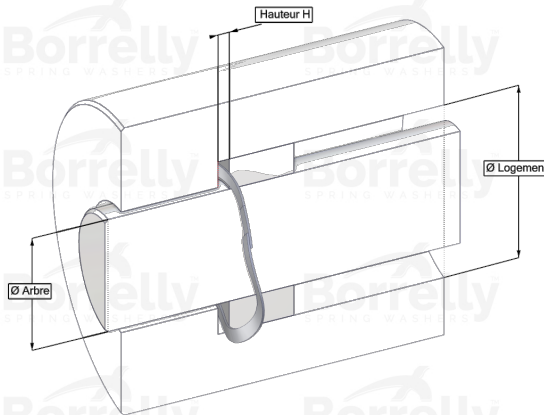
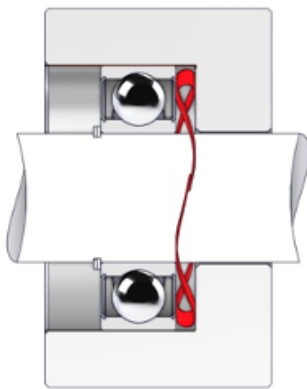


BORRELLY ONDUFIL WAVE SPRINGS



TECHNICAL SHEET STANDARD RANGE SINGLE TURN OVERLAP 17-7PH STAINLESS STEEL FOR BEARING

REFERENCE BORRELLY	OJ70S
Outer diameter of the bearing (mm)	70
Borrelly part code	RD0704J155070I68
Material	Stainless steel 17-7 Ph 1.4568
Operates in Bore Ø min (for application other than bearing preload) (mm)	70
Clears Shaft Ø max (for application other than bearing preload) (mm)	58.4
Approximate wire section (mm)	5,5 x 0,70
Number of waves	4
Approximate free height (mm)	4.3
Recommended installation height (mm)	2.80
Approximate spring rate (N/mm)	115
Minimum working height	2 wire thickness