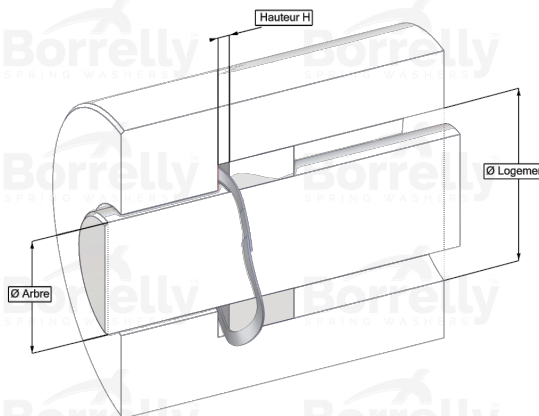
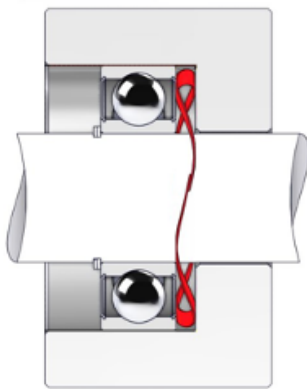


BORRELLY ONDUFIL WAVE SPRINGS



TECHNICAL SHEET STANDARD RANGE SINGLE TURN OVERLAP 17-7PH STAINLESS STEEL FOR BEARING

REFERENCE BORRELLY	OJ24S
Outer diameter of the bearing (mm)	24
Borrelly part code	RD0243J124030168
Material	Stainless steel 17-7 Ph 1.4568
Standard references for the bearing mounting on outer ring	EL9-609
Operates in Bore Ø min (for application other than bearing preload) (mm)	24
Clears Shaft Ø max (for application other than bearing preload) (mm)	18.8
Approximate wire section (mm)	2,4 x 0,30
Number of waves	3
Approximate free height (mm)	3.4
Recommended installation height (mm)	1.50
Approximate spring rate (N/mm)	37
Minimum working height	2 wire thickness