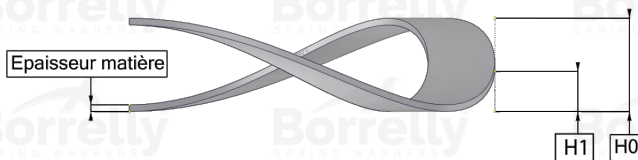
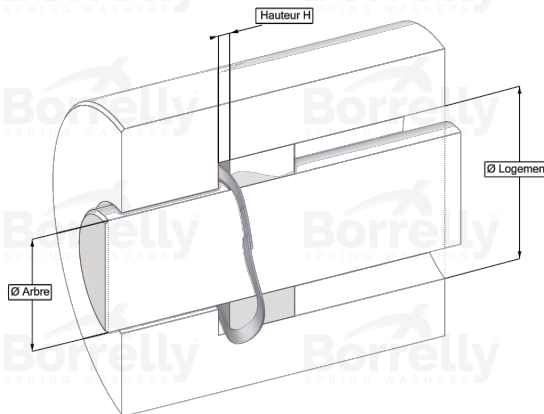
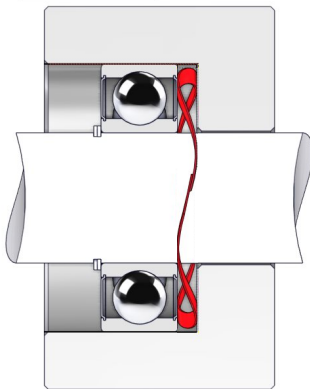


BORRELLY RONDELLES ONDULÉES



TECHNICAL SHEET PRECISION RANGE SINGLE TURN OVERLAP C75 TYPE STEEL FOR BEARING

REFERENCE BORRELLY	OJP85
Outer diameter of the bearing (mm)	85
Borrelly part code	RP0854J160080XT
Material	Carbon Steel type C75
Standard references for the bearing mounting on outer ring	6209
Operates in Bore Ø min (for application other than bearing preload) (mm)	85
Clears Shaft Ø max (for application other than bearing preload) (mm)	72.0
Approximate wire section (mm)	6,0 x 0,80
Number of waves	4
Approximate free height H0 (mm)	5.3
Working height H1 (mm)	2.80
Load P1 ±15% (N)	266
Minimum working height	2 wire thickness

