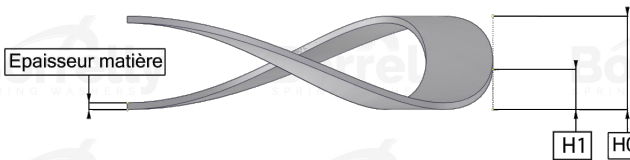
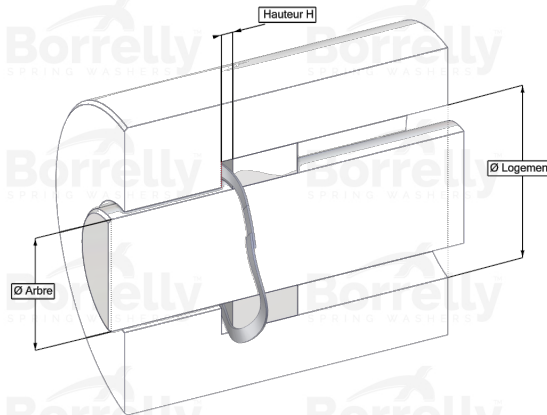


# BORRELLY ONDUFIL WAVE SPRINGS



## TECHNICAL SHEET PRECISION RANGE SINGLE TURN OVERLAP C75 TYPE STEEL FOR BEARING

REFERENCE BORRELLY	OJP70
Outer diameter of the bearing (mm)	70
Borrelly part code	RP0704J155070XT
Material	Carbon Steel type C75
Operates in Bore Ø min (for application other than bearing preload) (mm)	70
Clears Shaft Ø max (for application other than bearing preload) (mm)	58.4
Approximate wire section (mm)	5,5 x 0,70
Number of waves	4
Approximate free height H0 (mm)	4.3
Working height H1 (mm)	2.80
Load P1 ±15% (N)	173
Minimum working height	2 wire thickness

