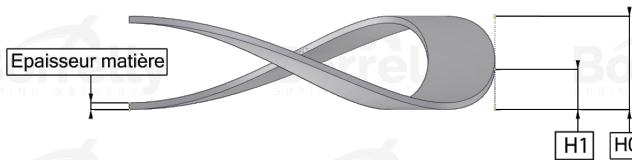
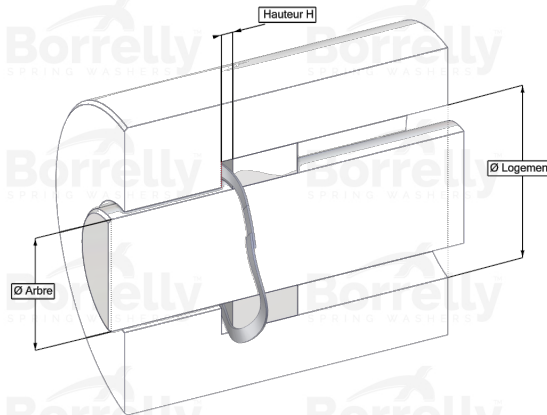


BORRELLY ONDUFIL WAVE SPRINGS



TECHNICAL SHEET PRECISION RANGE SINGLE TURN OVERLAP C75 TYPE STEEL FOR BEARING

REFERENCE BORRELLY	OJP22
Outer diameter of the bearing (mm)	22
Borrelly part code	RP0223J124030XT
Material	Carbon Steel type C75
Standard references for the bearing mounting on outer ring	EL8-608 R7-627
Operates in Bore Ø min (for application other than bearing preload) (mm)	22
Clears Shaft Ø max (for application other than bearing preload) (mm)	16.8
Approximate wire section (mm)	2,4 x 0,30
Number of waves	3
Approximate free height H0 (mm)	2.8
Working height H1 (mm)	1.45
Load P1 ±15% (N)	58
Minimum working height	2 wire thickness

