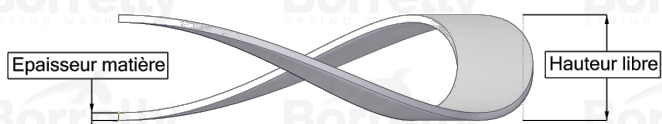
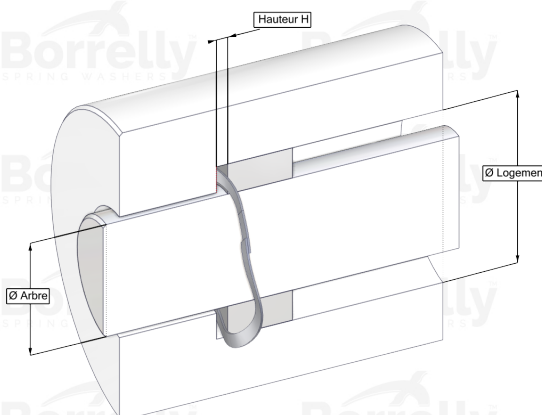
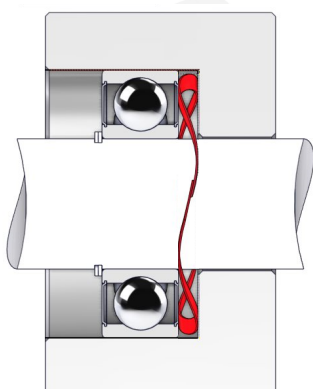


# BORRELLY ONDUFIL WAVE SPRINGS



## TECHNICAL SHEET STANDARD RANGE SINGLE TURN OVERLAP C75 TYPE STEEL FOR BEARING

REFERENCE BORRELLY	OJ90
Outer diameter of the bearing (mm)	90
Borrelly part code	RD0904J160080XT
Material	Carbon Steel type C75
Standard references for the bearing mounting on outer ring	6011 6210 6308 6406
Operates in Bore Ø min (for application other than bearing preload) (mm)	90
Clears Shaft Ø max (for application other than bearing preload) (mm)	77.0
Approximate wire section (mm)	6,0 x 0,80
Number of waves	4
Approximate free height (mm)	6.0
Recommended installation height (mm)	2.80
Approximate spring rate (N/mm)	78
Minimum working height	2 wire thickness