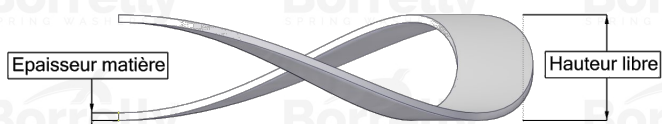
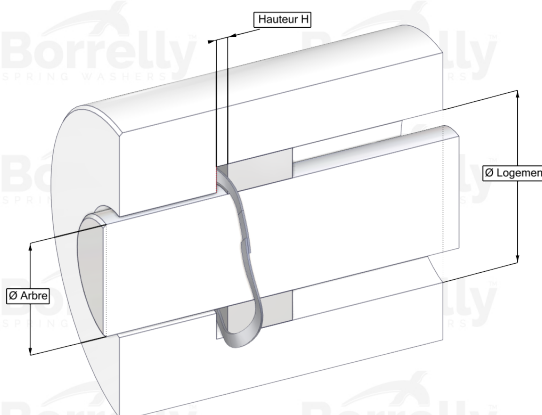
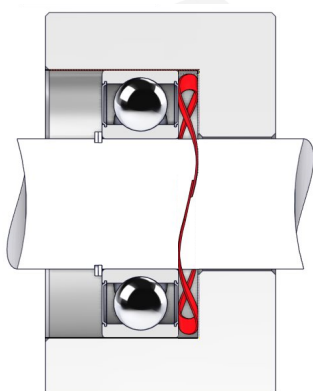


BORRELLY ONDUFIL WAVE SPRINGS



TECHNICAL SHEET STANDARD RANGE SINGLE TURN OVERLAP C75 TYPE STEEL FOR BEARING

REFERENCE BORRELLY	OJ70
Outer diameter of the bearing (mm)	70
Borrelly part code	RD0704J155070XT
Material	Carbon Steel type C75
Operates in Bore Ø min (for application other than bearing preload) (mm)	70
Clears Shaft Ø max (for application other than bearing preload) (mm)	58.4
Approximate wire section (mm)	5,5 x 0,70
Number of waves	4
Approximate free height (mm)	4.3
Recommended installation height (mm)	2.80
Approximate spring rate (N/mm)	115
Minimum working height	2 wire thickness