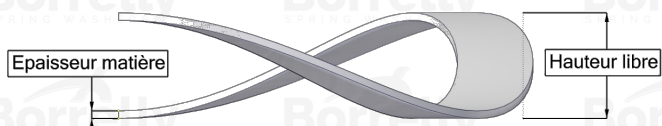
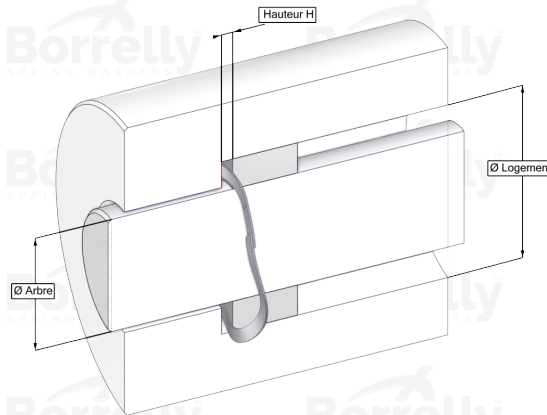
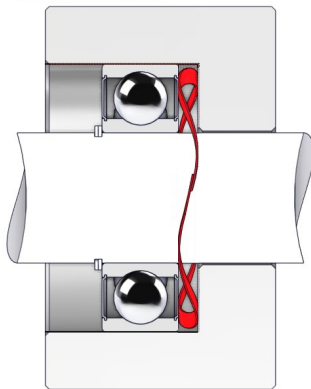


BORRELLY ONDUFIL WAVE SPRINGS



TECHNICAL SHEET STANDARD RANGE SINGLE TURN OVERLAP C75 TYPE STEEL FOR BEARING

| REFERENCE BORRELLY | OJ28 |
|--|-----------------------|
| Outer diameter of the bearing (mm) | 28 |
| Borrelly part code | RD0283J126045XT |
| Material | Carbon Steel type C75 |
| Standard references for the bearing mounting on outer ring | 6001 |
| Operates in Bore Ø min (for application other than bearing preload) (mm) | 28 |
| Clears Shaft Ø max (for application other than bearing preload) (mm) | 22.4 |
| Approximate wire section (mm) | 2,6 x 0,45 |
| Number of waves | 3 |
| Approximate free height (mm) | 3.4 |
| Recommended installation height (mm) | 2.00 |
| Approximate spring rate (N/mm) | 55 |
| Minimum working height | 2 wire thickness |