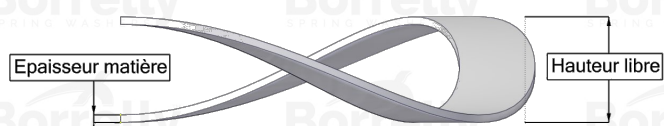
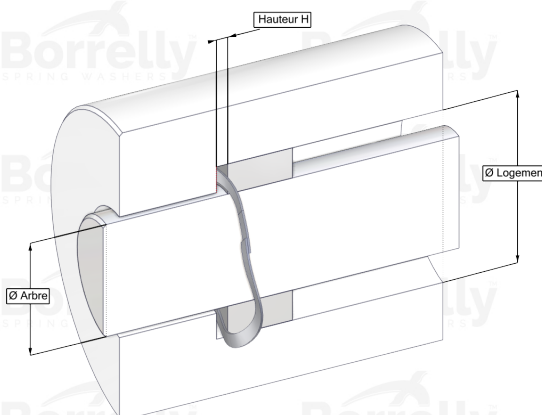
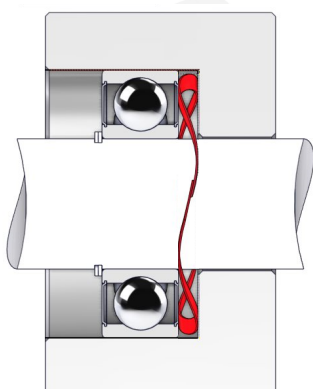


# BORRELLY ONDUFIL WAVE SPRINGS



## TECHNICAL SHEET STANDARD RANGE SINGLE TURN OVERLAP C75 TYPE STEEL FOR BEARING

| REFERENCE BORRELLY   | OJ22                  |
|--|-----------------------|
| Outer diameter of the bearing (mm)                                       | 22                    |
| Borrelly part code   | RD0223J124030XT       |
| Material   | Carbon Steel type C75 |
| Standard references for the bearing mounting on outer ring               | EL8-608 R7-627        |
| Operates in Bore Ø min (for application other than bearing preload) (mm) | 22                    |
| Clears Shaft Ø max (for application other than bearing preload) (mm)     | 16.8                  |
| Approximate wire section (mm)  | 2,4 x 0,30            |
| Number of waves  | 3                     |
| Approximate free height (mm)   | 2.8                   |
| Recommended installation height (mm)                                     | 1.45                  |
| Approximate spring rate (N/mm)   | 43                    |
| Minimum working height   | 2 wire thickness      |