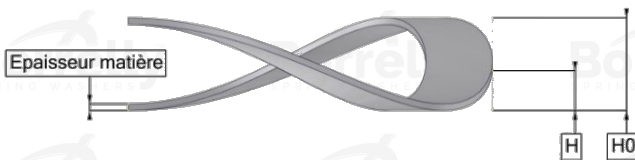
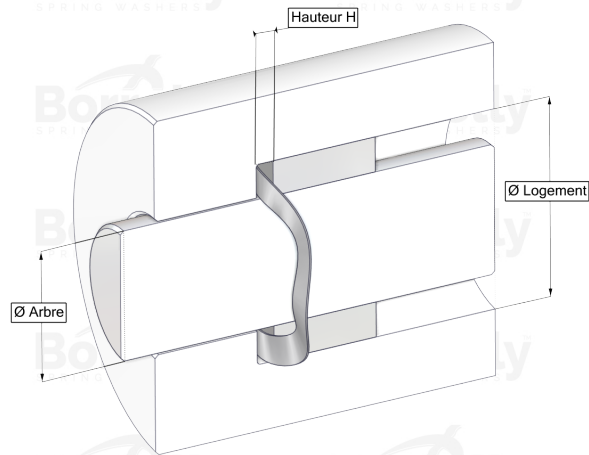


BORRELLY WAVE WASHERS



TECHNICAL SHEET C3 PRECISION RANGE 1.4310 STAINLESS STEEL FOR BEARING

REFERENCE BORRELLY	C3P150S
Outer diameter of the bearing (mm)	150
Borrelly part code	PFP14912910010
Material	Stainless steel 1.4310
Standard references for the bearing mounting on outer ring	6314 C3
Operates in Bore Ø min (for application other than bearing preload) (mm)	150
Clears Shaft Ø max (for application other than bearing preload) (mm)	126.9
Material thickness ±10% (mm)	1.00
Number of waves	6
Approximate free height H0 (mm)	4.9
Working height H (mm)	2.5
Load ±15% (N)	1060

