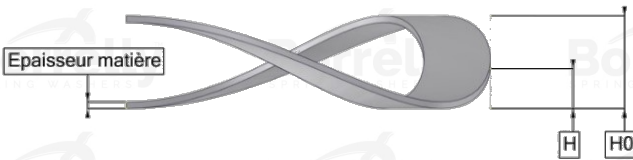
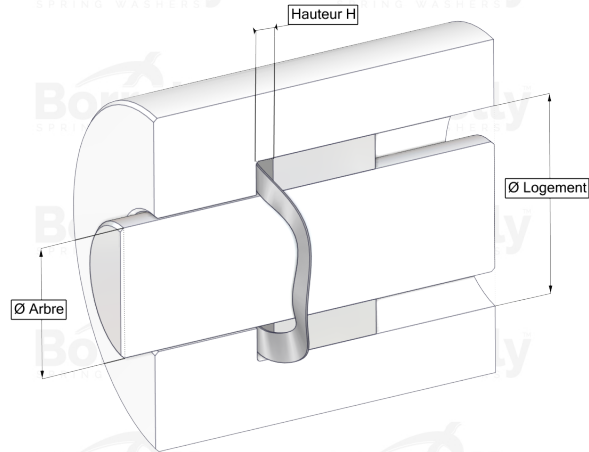
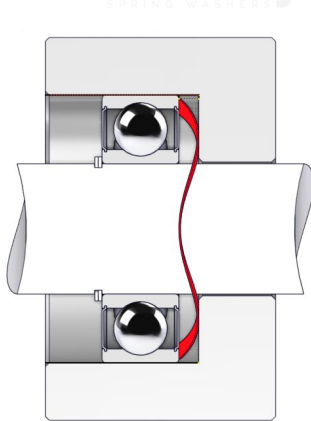


# BORRELLY WAVE WASHERS



## TECHNICAL SHEET C3 PRECISION RANGE 1.4310 STAINLESS STEEL FOR BEARING

REFERENCE BORRELLY	C3P125S
Outer diameter of the bearing (mm)	125
Borrelly part code	PFP12410908010
Material	Stainless steel 1.4310
Standard references for the bearing mounting on outer ring	6214 C3
Operates in Bore Ø min (for application other than bearing preload) (mm)	125
Clears Shaft Ø max (for application other than bearing preload) (mm)	106.9
Material thickness ±10% (mm)	0.80
Number of waves	6
Approximate free height H0 (mm)	4.1
Working height H (mm)	2.0
Load ±15% (N)	830

