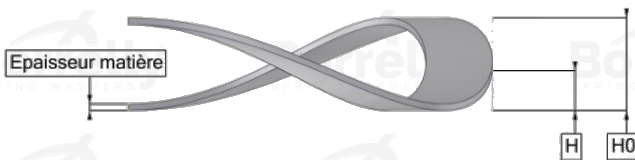
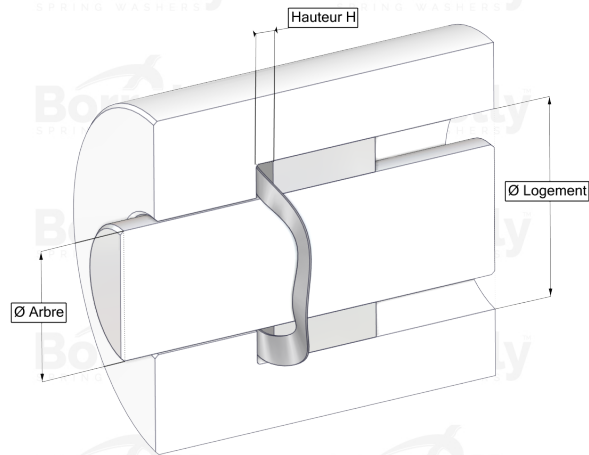
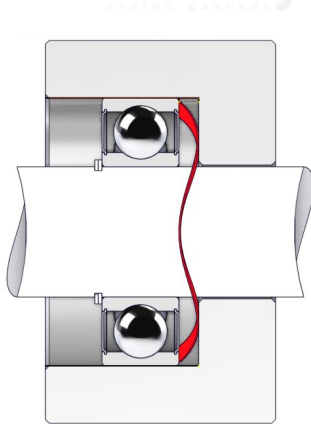


BORRELLY WAVE WASHERS



TECHNICAL SHEET C3 PRECISION RANGE 1.4310 STAINLESS STEEL FOR BEARING

REFERENCE BORRELLY	C3P80S-2
Outer diameter of the bearing (mm)	80
Borrelly part code	PEP079064060I10
Material	Stainless steel 1.4310
Standard references for the bearing mounting on outer ring	6307 C3
Operates in Bore Ø min (for application other than bearing preload) (mm)	80
Clears Shaft Ø max (for application other than bearing preload) (mm)	62.3
Material thickness ±10% (mm)	0.60
Number of waves	5
Approximate free height H0 (mm)	4.5
Working height H (mm)	2.0
Load ±15% (N)	620

