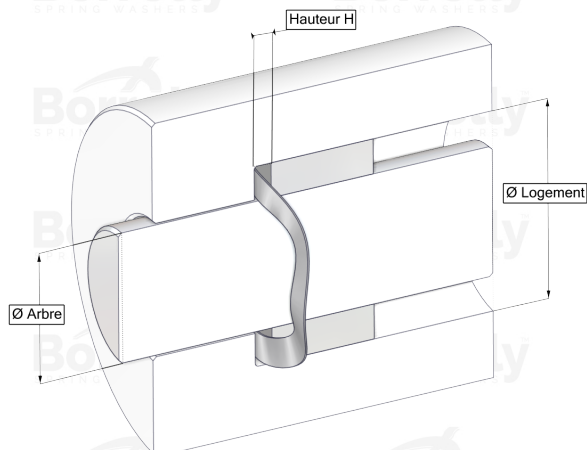
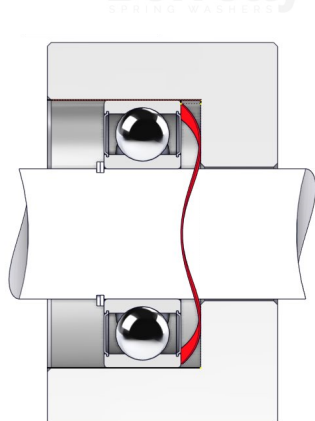


# BORRELLY WAVE WASHERS



## TECHNICAL SHEET C3 STANDARD RANGE 1.4310 STAINLESS STEEL FOR BEARING

REFERENCE BORRELLY	C3180S-1
Outer diameter of the bearing (mm)	180
Borrelly part code	PFD179159100I10
Material	Stainless steel 1.4310
Standard references for the bearing mounting on outer ring	6317 C3
Operates in Bore Ø min (for application other than bearing preload) (mm)	180
Clears Shaft Ø max (for application other than bearing preload) (mm)	155.8
Material thickness ±10% (mm)	1.00
Number of waves	6
Approximate free height H0 (mm)	7.3
Working height H for C3 bearing preload (mm)	4.0
Approximate spring rate (N/mm)	249