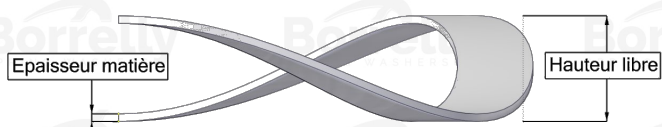
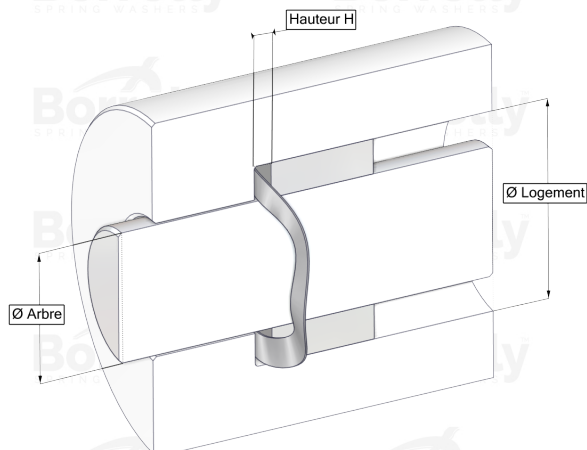
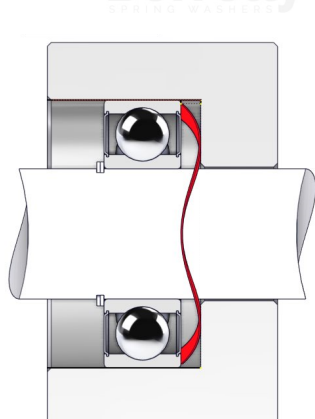


# BORRELLY WAVE WASHERS



## TECHNICAL SHEET C3 STANDARD RANGE 1.4310 STAINLESS STEEL FOR BEARING

REFERENCE BORRELLY	C3145S
Outer diameter of the bearing (mm)	145
Borrelly part code	PFD144124100I10
Material	Stainless steel 1.4310
Standard references for the bearing mounting on outer ring	6019 C3
Operates in Bore Ø min (for application other than bearing preload) (mm)	145
Clears Shaft Ø max (for application other than bearing preload) (mm)	122.1
Material thickness ±10% (mm)	1.00
Number of waves	6
Approximate free height H0 (mm)	4.6
Working height H for C3 bearing preload (mm)	2.5
Approximate spring rate (N/mm)	497