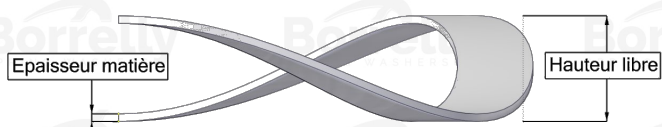
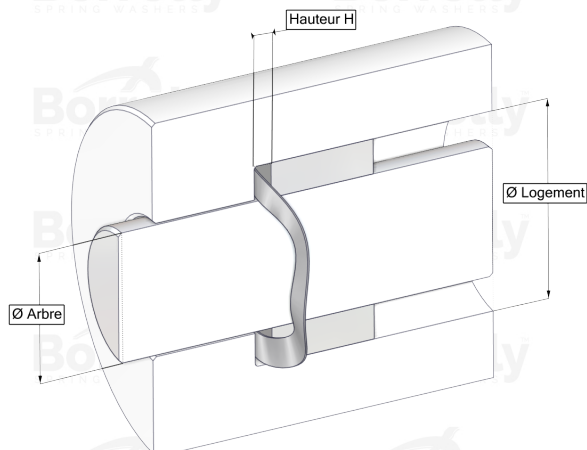
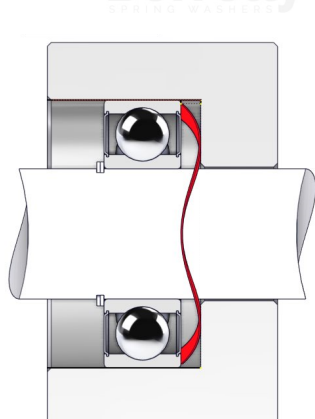


BORRELLY RONDELLES ONDULÉES



TECHNICAL SHEET C3 STANDARD RANGE 1.4310 STAINLESS STEEL FOR BEARING

| REFERENCE BORRELLY | C3130S |
|--|------------------------|
| Outer diameter of the bearing (mm) | 130 |
| Borrelly part code | PFD129109080I10 |
| Material | Stainless steel 1.4310 |
| Standard references for the bearing mounting on outer ring | 6312 C3 |
| Operates in Bore Ø min (for application other than bearing preload) (mm) | 130 |
| Clears Shaft Ø max (for application other than bearing preload) (mm) | 107.0 |
| Material thickness ±10% (mm) | 0.80 |
| Number of waves | 6 |
| Approximate free height H0 (mm) | 4.3 |
| Working height H for C3 bearing preload (mm) | 2.0 |
| Approximate spring rate (N/mm) | 369 |