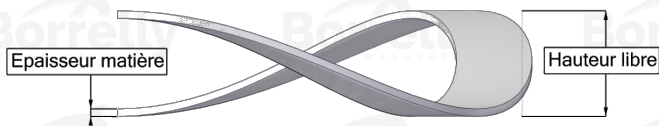
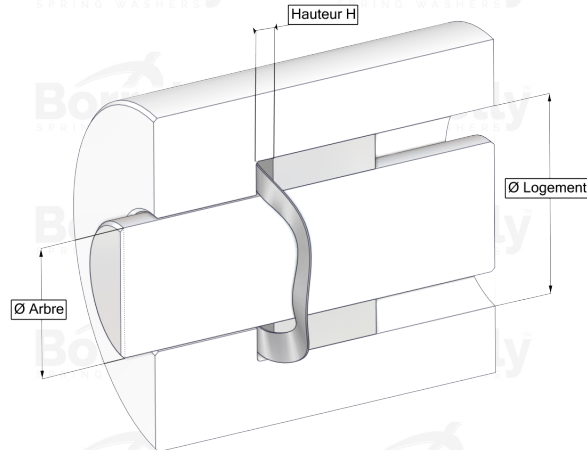
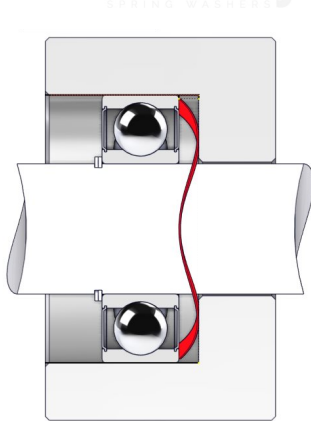


BORRELLY WAVE WASHERS



TECHNICAL SHEET C3 STANDARD RANGE 1.4310 STAINLESS STEEL FOR BEARING

REFERENCE BORRELLY	C380S-1
Outer diameter of the bearing (mm)	80
Borrelly part code	PDD079064080I10
Material	Stainless steel 1.4310
Standard references for the bearing mounting on outer ring	6307 C3
Operates in Bore Ø min (for application other than bearing preload) (mm)	80
Clears Shaft Ø max (for application other than bearing preload) (mm)	62.5
Material thickness ±10% (mm)	0.80
Number of waves	4
Approximate free height H0 (mm)	4.4
Working height H for C3 bearing preload (mm)	2.5
Approximate spring rate (N/mm)	249