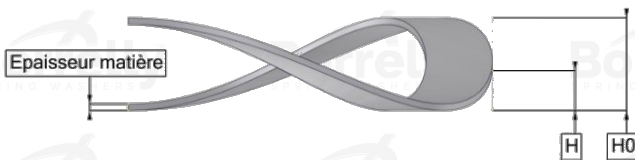
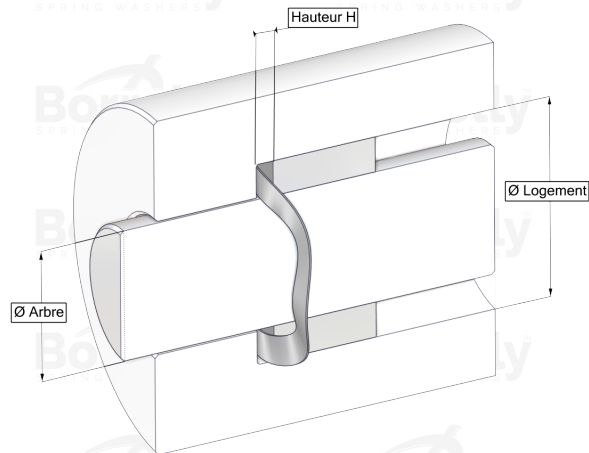


# BORRELLY WAVE WASHERS



## TECHNICAL SHEET C3 PRECISION RANGE C75S STEEL FOR BEARING

REFERENCE BORRELLY	C3P180-2
Outer diameter of the bearing (mm)	180
Borrelly part code	PGP179159100XT
Material	Carbon Steel C75S 1.1248
Standard references for the bearing mounting on outer ring	6317 C3
Operates in Bore Ø min (for application other than bearing preload) (mm)	180
Clears Shaft Ø max (for application other than bearing preload) (mm)	156.0
Material thickness ±10% (mm)	1.00
Number of waves	7
Approximate free height H0 (mm)	5.4
Working height H (mm)	2.5
Load ±15% (N)	1600

