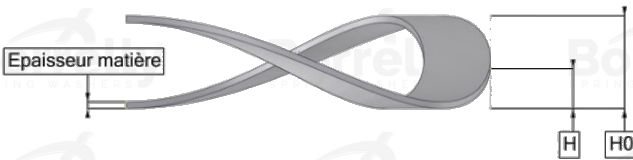
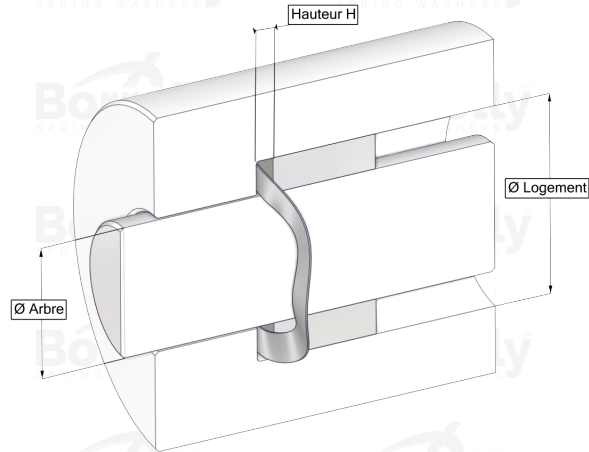
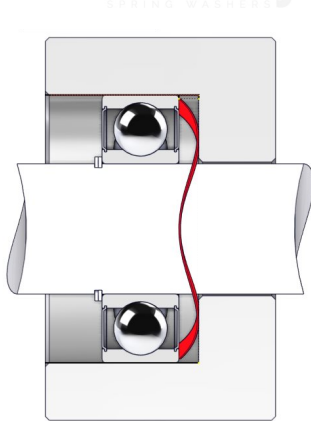


BORRELLY WAVE WASHERS



TECHNICAL SHEET C3 PRECISION RANGE C75S STEEL FOR BEARING

REFERENCE BORRELLY	C3P140-1
Outer diameter of the bearing (mm)	140
Borrelly part code	PEP139119100XT
Material	Carbon Steel C75S 1.1248
Standard references for the bearing mounting on outer ring	6313 C3
Operates in Bore Ø min (for application other than bearing preload) (mm)	140
Clears Shaft Ø max (for application other than bearing preload) (mm)	116.9
Material thickness ±10% (mm)	1.00
Number of waves	5
Approximate free height H0 (mm)	6.3
Working height H (mm)	4.0
Load ±15% (N)	725

