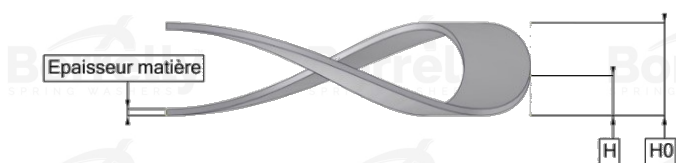
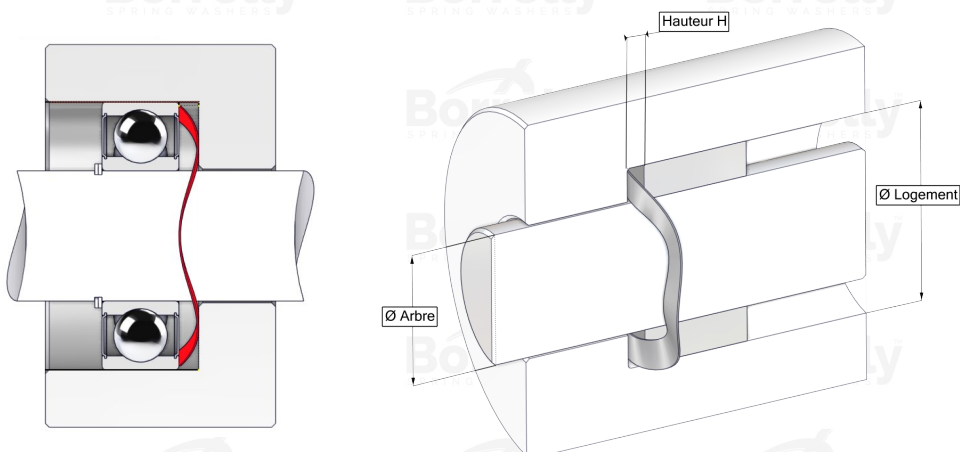


BORRELLY

RONDELLES ONDULÉES



TECHNICAL SHEET C3 PRECISION RANGE C75S STEEL FOR BEARING

REFERENCE BORRELLY	C3P115
Outer diameter of the bearing (mm)	115
Borrelly part code	PFP114098080XT
Material	Carbon Steel C75S 1.1248
Standard references for the bearing mounting on outer ring	6015 C3
Operates in Bore Ø min (for application other than bearing preload) (mm)	115
Clears Shaft Ø max (for application other than bearing preload) (mm)	96.1
Material thickness ±10% (mm)	0.80
Number of waves	6
Approximate free height H0 (mm)	3.6
Working height H (mm)	2.0
Load ±15% (N)	770

