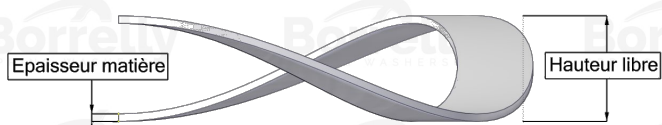
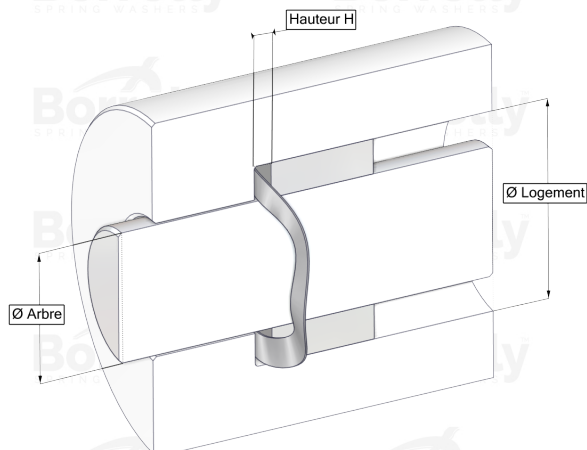
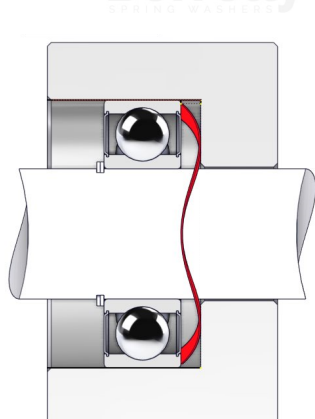


BORRELLY WAVE WASHERS



TECHNICAL SHEET C3 STANDARD RANGE C75S STEEL FOR BEARING

REFERENCE BORRELLY	C3180-2
Outer diameter of the bearing (mm)	180
Borrelly part code	PGD179159100XT
Material	Carbon Steel C75S 1.1248
Standard references for the bearing mounting on outer ring	6317 C3
Operates in Bore Ø min (for application other than bearing preload) (mm)	180
Clears Shaft Ø max (for application other than bearing preload) (mm)	156.0
Material thickness ±10% (mm)	1.00
Number of waves	7
Approximate free height H0 (mm)	5.4
Working height H for C3 bearing preload (mm)	2.5
Approximate spring rate (N/mm)	540