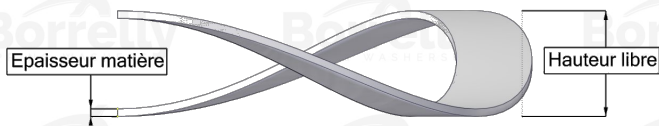
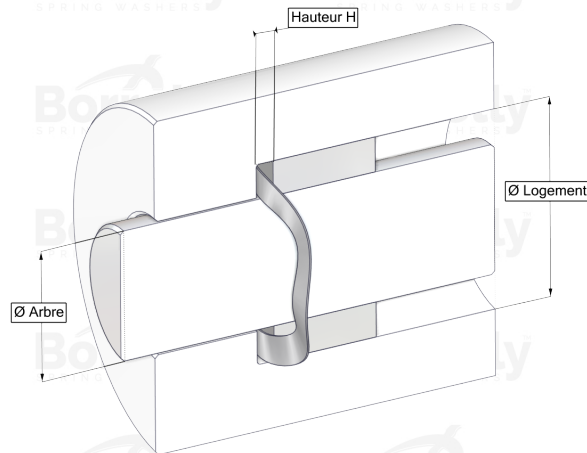


BORRELLY WAVE WASHERS



TECHNICAL SHEET C3 STANDARD RANGE C75S STEEL FOR BEARING

REFERENCE BORRELLY	C3140-2
Outer diameter of the bearing (mm)	140
Borrelly part code	PFD139119100XT
Material	Carbon Steel C75S 1.1248
Standard references for the bearing mounting on outer ring	6313 C3
Operates in Bore Ø min (for application other than bearing preload) (mm)	140
Clears Shaft Ø max (for application other than bearing preload) (mm)	117.1
Material thickness ±10% (mm)	1.00
Number of waves	6
Approximate free height H0 (mm)	4.2
Working height H for C3 bearing preload (mm)	2.5
Approximate spring rate (N/mm)	650