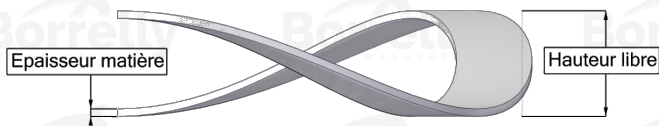
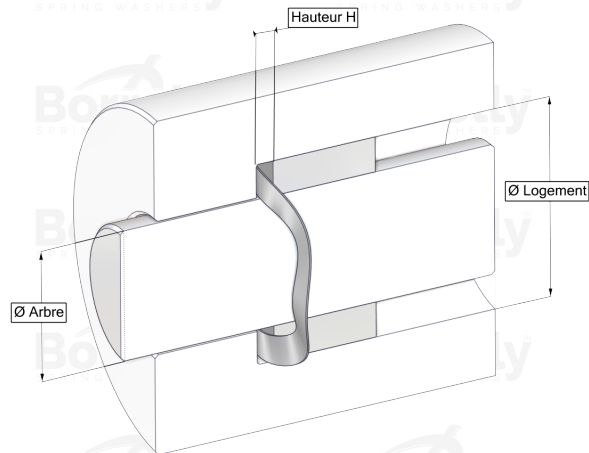


# BORRELLY WAVE WASHERS



## TECHNICAL SHEET C3 STANDARD RANGE C75S STEEL FOR BEARING

REFERENCE BORRELLY	C3120
Outer diameter of the bearing (mm)	120
Borrelly part code	PFD119103080XT
Material	Carbon Steel C75S 1.1248
Standard references for the bearing mounting on outer ring	6213 C3
Operates in Bore Ø min (for application other than bearing preload) (mm)	120
Clears Shaft Ø max (for application other than bearing preload) (mm)	101.1
Material thickness ±10% (mm)	0.80
Number of waves	6
Approximate free height H0 (mm)	3.9
Working height H for C3 bearing preload (mm)	2.0
Approximate spring rate (N/mm)	420