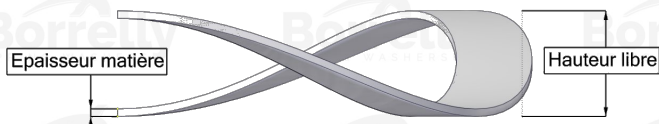
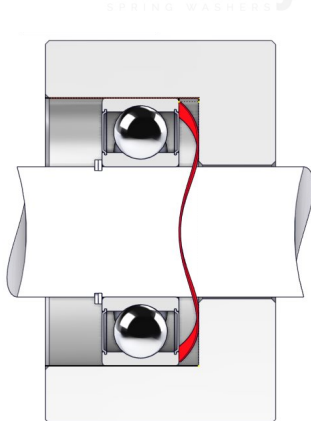


# BORRELLY WAVE WASHERS



## TECHNICAL SHEET C3 STANDARD RANGE C75S STEEL FOR BEARING

REFERENCE BORRELLY	C3110-1
Outer diameter of the bearing (mm)	110
Borrelly part code	PED109089080XT
Material	Carbon Steel C75S 1.1248
Standard references for the bearing mounting on outer ring	6310 C3
Operates in Bore Ø min (for application other than bearing preload) (mm)	110
Clears Shaft Ø max (for application other than bearing preload) (mm)	86.2
Material thickness ±10% (mm)	0.80
Number of waves	5
Approximate free height H0 (mm)	5.8
Working height H for C3 bearing preload (mm)	4.0
Approximate spring rate (N/mm)	360