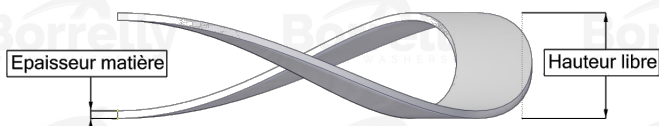
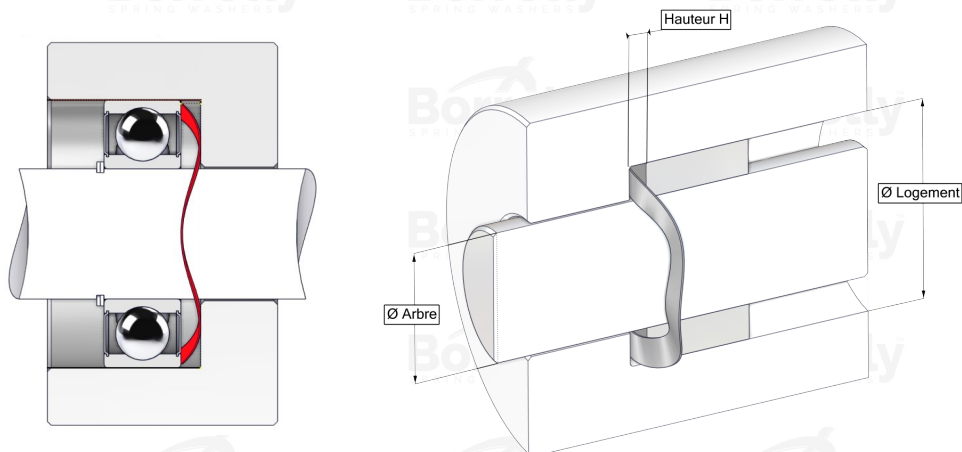


BORRELLY WAVE WASHERS



TECHNICAL SHEET C3 STANDARD RANGE C75S STEEL FOR BEARING

REFERENCE BORRELLY	C355
Outer diameter of the bearing (mm)	55
Borrelly part code	PED054042035XT
Material	Carbon Steel C75S 1.1248
Standard references for the bearing mounting on outer ring	6006 C3
Operates in Bore Ø min (for application other than bearing preload) (mm)	55
Clears Shaft Ø max (for application other than bearing preload) (mm)	40.8
Material thickness ±10% (mm)	0.35
Number of waves	5
Approximate free height H0 (mm)	3.2
Working height H for C3 bearing preload (mm)	1.0
Approximate spring rate (N/mm)	150