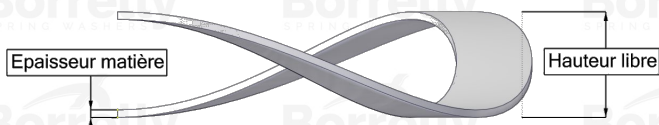
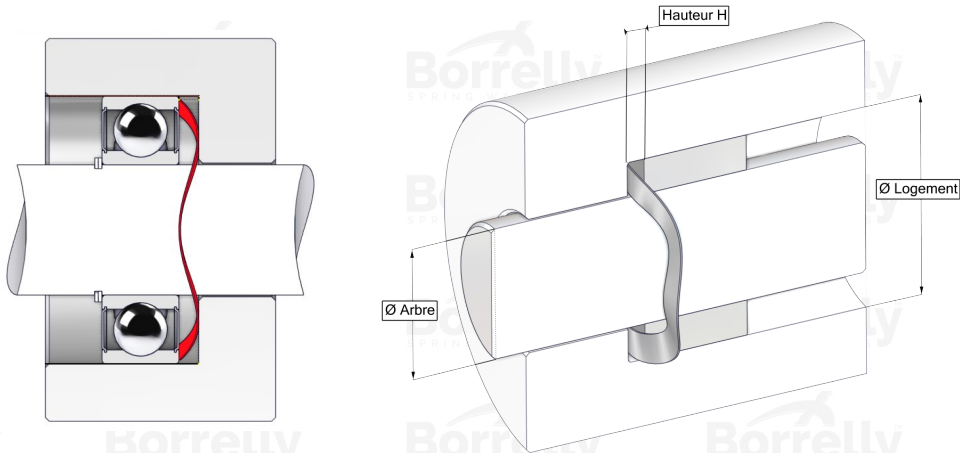


BORRELLY WAVE WASHERS



TECHNICAL SHEET CN STANDARD RANGE 1.4310 STAINLESS STEEL FOR BEARING

REFERENCE BORRELLY	CN230S
Outer diameter of the bearing (mm)	230
Borrelly part code	PDD228203150110
Material	Stainless steel 1.4310
Standard references for the bearing mounting on outer ring	6226
Operates in Bore Ø min (for application other than bearing preload) (mm)	230
Clears Shaft Ø max (for application other than bearing preload) (mm)	199.0
Material thickness ±10% (mm)	1.50
Number of waves	4
Approximate free height (mm)	10.9
Working height H for CN bearing preload must be between H1 and H2 (mm)	between 4,20 and 3,00
Approximate spring rate (N/mm)	98