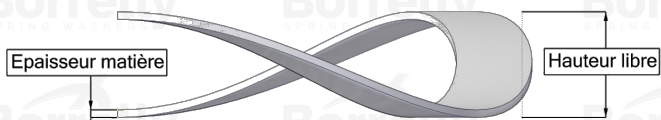
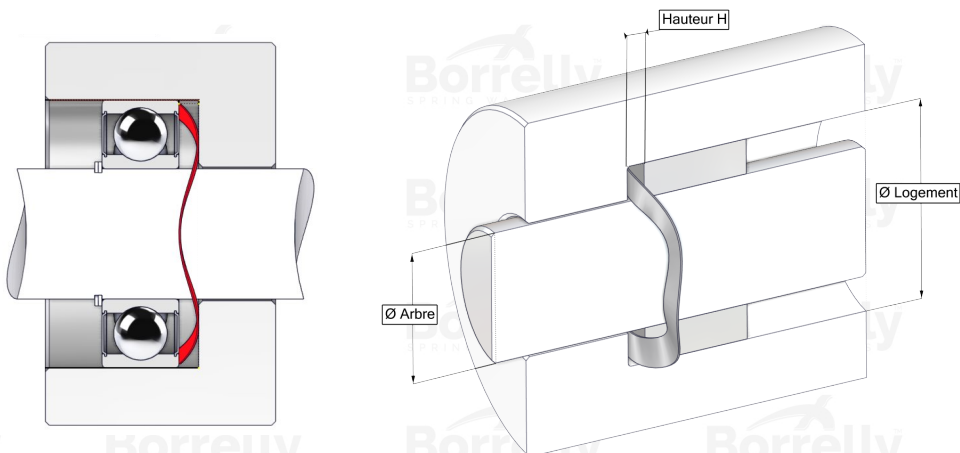


BORRELLY

RONDELLES ONDULÉES



TECHNICAL SHEET CN STANDARD RANGE 1.4310 STAINLESS STEEL FOR BEARING

REFERENCE BORRELLY	CN215S
Outer diameter of the bearing (mm)	215
Borrelly part code	PDD213188150110
Material	Stainless steel 1.4310
Standard references for the bearing mounting on outer ring	6224 6320
Operates in Bore Ø min (for application other than bearing preload) (mm)	215
Clears Shaft Ø max (for application other than bearing preload) (mm)	184.7
Material thickness ±10% (mm)	1.50
Number of waves	4
Approximate free height (mm)	8.9
Working height H for CN bearing preload must be between H1 and H2 (mm)	between 4,20 and 3,00
Approximate spring rate (N/mm)	119