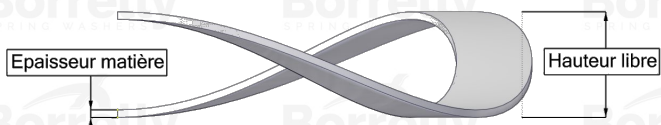
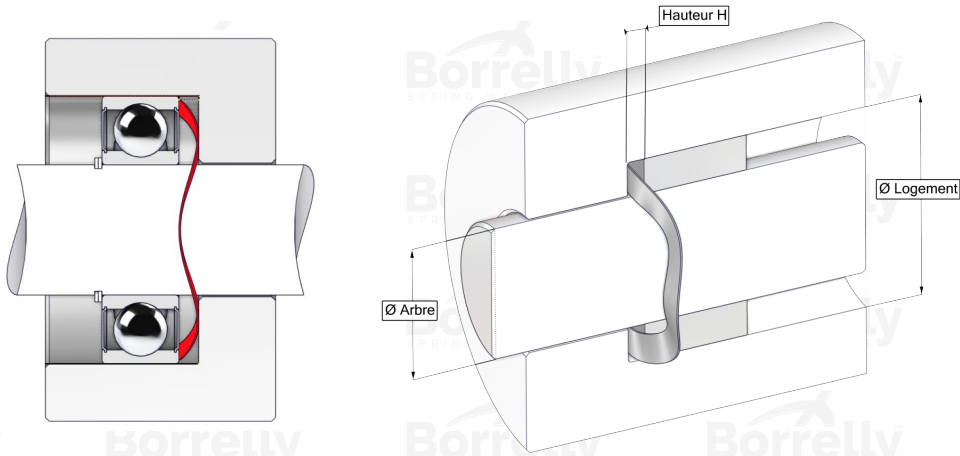


# BORRELLY WAVE WASHERS



## TECHNICAL SHEET CN STANDARD RANGE 1.4310 STAINLESS STEEL FOR BEARING

REFERENCE BORRELLY	CN200S
Outer diameter of the bearing (mm)	200
Borrelly part code	PDD198178150110
Material	Stainless steel 1.4310
Standard references for the bearing mounting on outer ring	6026 6222 6319 6410
Operates in Bore Ø min (for application other than bearing preload) (mm)	200
Clears Shaft Ø max (for application other than bearing preload) (mm)	175.0
Material thickness ±10% (mm)	1.50
Number of waves	4
Approximate free height (mm)	8.0
Working height H for CN bearing preload must be between H1 and H2 (mm)	between 3,50 and 2,50
Approximate spring rate (N/mm)	90