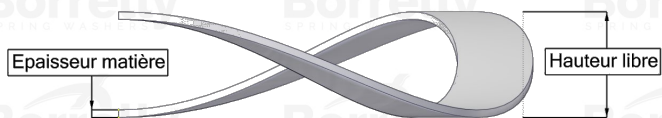
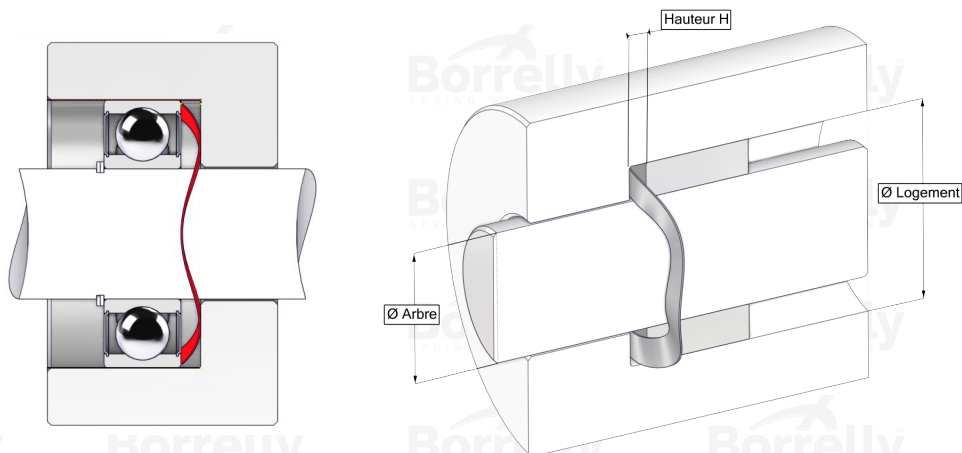


# BORRELLY RONDELLES ONDULÉES



## TECHNICAL SHEET CN STANDARD RANGE 1.4310 STAINLESS STEEL FOR BEARING

REFERENCE BORRELLY	CN180S
Outer diameter of the bearing (mm)	180
Borrelly part code	PDD179159100110
Material	Stainless steel 1.4310
Standard references for the bearing mounting on outer ring	6024 6220 6317 6410
Operates in Bore Ø min (for application other than bearing preload) (mm)	180
Clears Shaft Ø max (for application other than bearing preload) (mm)	153.0
Material thickness ±10% (mm)	1.00
Number of waves	4
Approximate free height (mm)	12.6
Working height H for CN bearing preload must be between H1 and H2 (mm)	between 3,00 and 2,00
Approximate spring rate (N/mm)	50