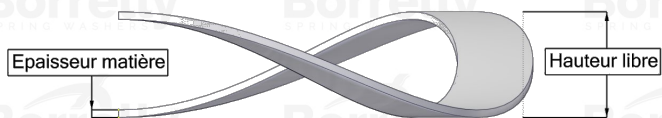
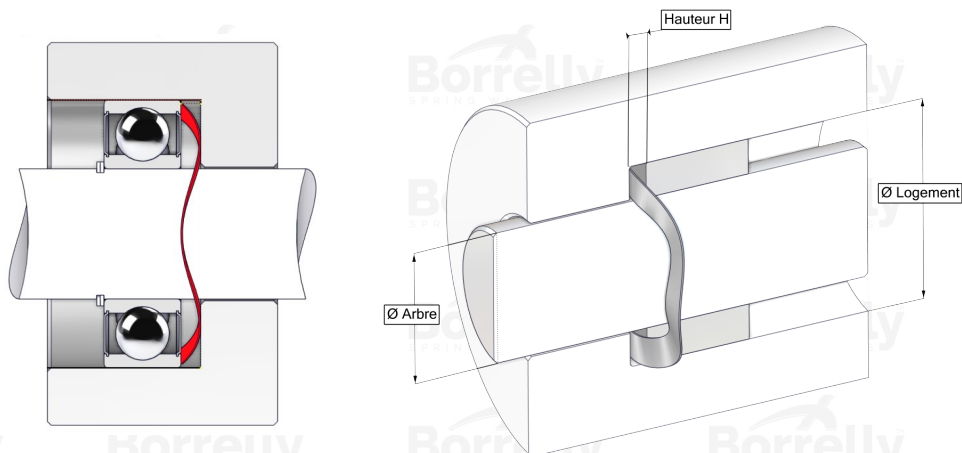


BORRELLY WAVE WASHERS



TECHNICAL SHEET CN STANDARD RANGE 1.4310 STAINLESS STEEL FOR BEARING

REFERENCE BORRELLY	CN170S
Outer diameter of the bearing (mm)	170
Borrelly part code	PDD169149100110
Material	Stainless steel 1.4310
Standard references for the bearing mounting on outer ring	6022 6219 6316
Operates in Bore Ø min (for application other than bearing preload) (mm)	170
Clears Shaft Ø max (for application other than bearing preload) (mm)	144.0
Material thickness ±10% (mm)	1.00
Number of waves	4
Approximate free height (mm)	11.5
Working height H for CN bearing preload must be between H1 and H2 (mm)	between 3,00 and 2,00
Approximate spring rate (N/mm)	52