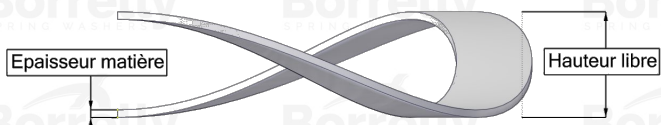
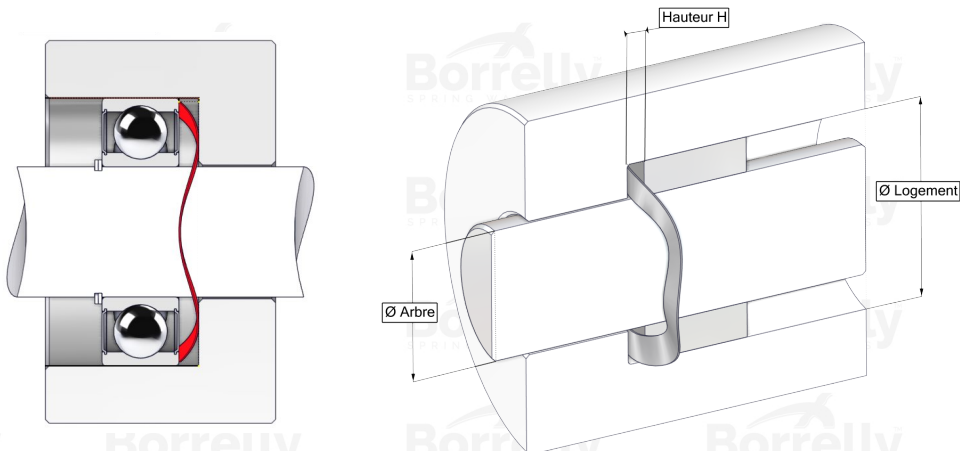


BORRELLY WAVE WASHERS



TECHNICAL SHEET CN STANDARD RANGE 1.4310 STAINLESS STEEL FOR BEARING

| REFERENCE BORRELLY | CN47SAF |
|--|------------------------|
| Outer diameter of the bearing (mm) | 47 |
| Borrelly part code | PDD046035025110 |
| Material | Stainless steel 1.4310 |
| Standard references for the bearing mounting on outer ring | 6005 6204 6303 |
| Operates in Bore Ø min (for application other than bearing preload) (mm) | 47 |
| Clears Shaft Ø max (for application other than bearing preload) (mm) | 33.1 |
| Material thickness ±10% (mm) | 0.25 |
| Number of waves | 4 |
| Approximate free height (mm) | 4.2 |
| Working height H for CN bearing preload must be between H1 and H2 (mm) | between 1,80 and 1,10 |
| Approximate spring rate (N/mm) | 27 |