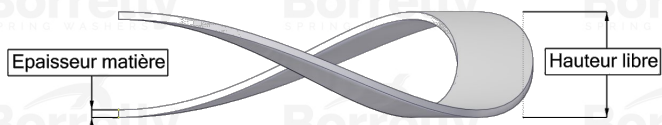
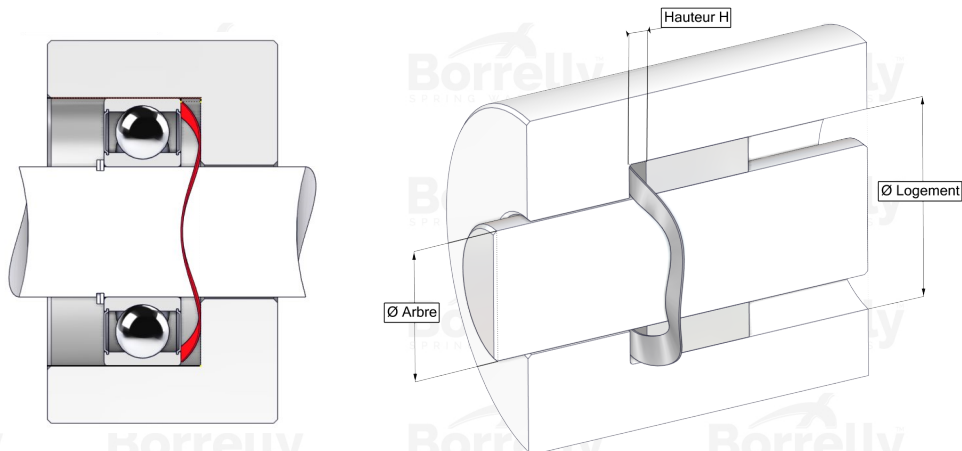


# BORRELLY WAVE WASHERS



## TECHNICAL SHEET CN STANDARD RANGE 1.4310 STAINLESS STEEL FOR BEARING

| REFERENCE BORRELLY   | CN22SNF                |
|--|------------------------|
| Outer diameter of the bearing (mm)                                       | 22                     |
| Borrelly part code   | PCD022018025I10        |
| Material   | Stainless steel 1.4310 |
| Standard references for the bearing mounting on outer ring               | EL8-608 R7-627         |
| Operates in Bore Ø min (for application other than bearing preload) (mm) | 22                     |
| Clears Shaft Ø max (for application other than bearing preload) (mm)     | 17.3                   |
| Material thickness ±10% (mm)   | 0.25                   |
| Number of waves  | 3                      |
| Approximate free height (mm)   | 2.1                    |
| Working height H for CN bearing preload must be between H1 and H2 (mm)   | between 0,80 and 0,40  |
| Approximate spring rate (N/mm)   | 19                     |