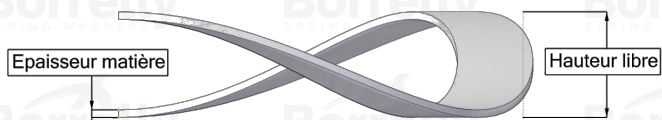
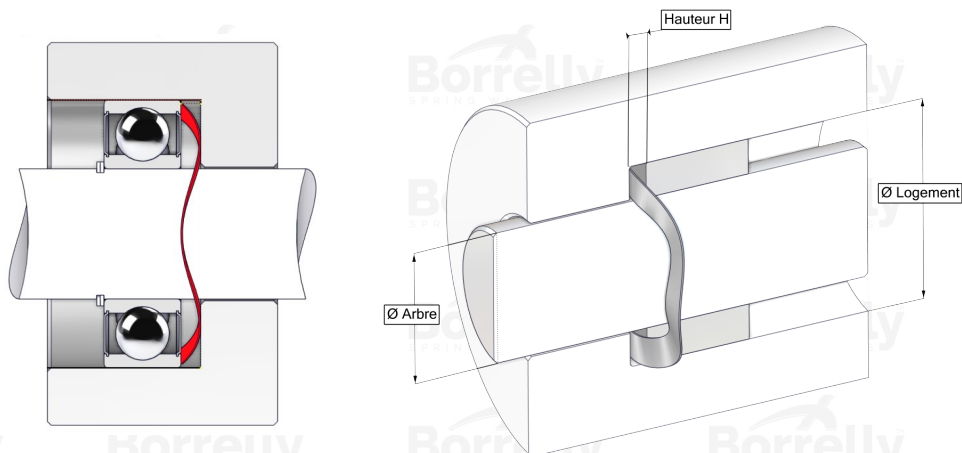


# BORRELLY RONDELLES ONDULÉES



## TECHNICAL SHEET CN STANDARD RANGE C75S STEEL FOR BEARING

REFERENCE BORRELLY	CN150
Outer diameter of the bearing (mm)	150
Borrelly part code	PDD149129100XT
Material	Carbon Steel C75S 1.1248
Standard references for the bearing mounting on outer ring	6020 6217 6314 6410
Operates in Bore Ø min (for application other than bearing preload) (mm)	150
Clears Shaft Ø max (for application other than bearing preload) (mm)	126.3
Material thickness ±10% (mm)	1.00
Number of waves	4
Approximate free height (mm)	7.2
Working height H for CN bearing preload must be between H1 and H2 (mm)	between 2,80 and 2,00
Approximate spring rate (N/mm)	99