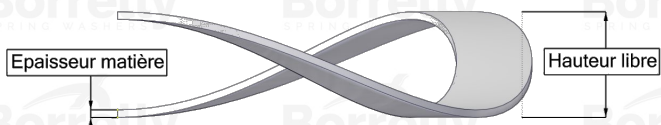
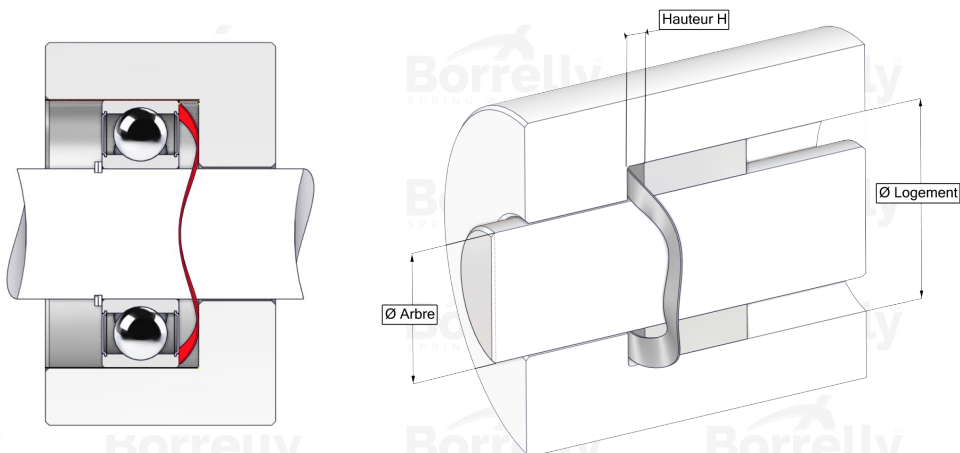


BORRELLY

RONDELLES ONDULÉES



TECHNICAL SHEET CN STANDARD RANGE C75S STEEL FOR BEARING

REFERENCE BORRELLY	CN100
Outer diameter of the bearing (mm)	100
Borrelly part code	PDD100085070XT
Material	Carbon Steel C75S 1.1248
Standard references for the bearing mounting on outer ring	6013 6211 6309 6400
Operates in Bore Ø min (for application other than bearing preload) (mm)	100
Clears Shaft Ø max (for application other than bearing preload) (mm)	83.0
Material thickness ±10% (mm)	0.70
Number of waves	4
Approximate free height (mm)	4.4
Working height H for CN bearing preload must be between H1 and H2 (mm)	between 2,40 and 1,80
Approximate spring rate (N/mm)	92