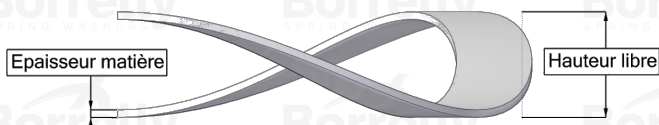
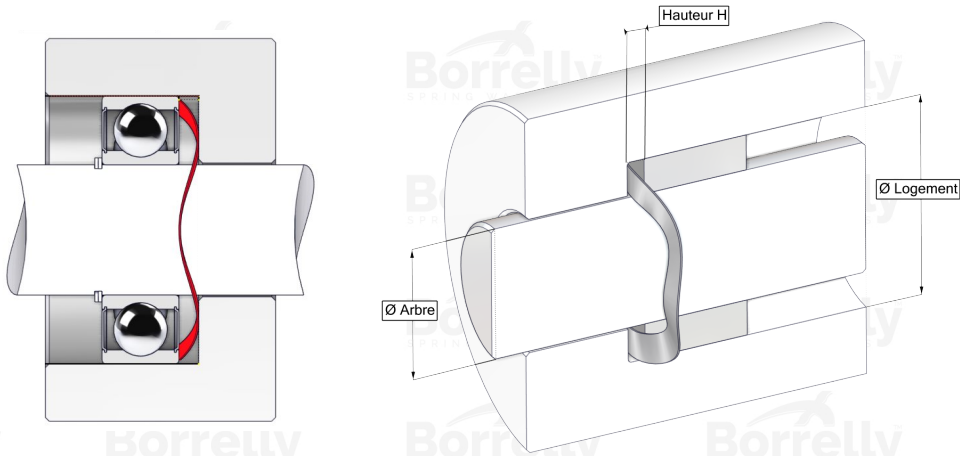


# BORRELLY WAVE WASHERS



## TECHNICAL SHEET CN STANDARD RANGE C75S STEEL FOR BEARING

REFERENCE BORRELLY	CN42
Outer diameter of the bearing (mm)	42
Borrelly part code	PDD041032025XT
Material	Carbon Steel C75S 1.1248
Standard references for the bearing mounting on outer ring	6004 6302
Operates in Bore Ø min (for application other than bearing preload) (mm)	42
Clears Shaft Ø max (for application other than bearing preload) (mm)	30.6
Material thickness ±10% (mm)	0.25
Number of waves	4
Approximate free height (mm)	3.2
Working height H for CN bearing preload must be between H1 and H2 (mm)	between 1,60 and 1,00
Approximate spring rate (N/mm)	36