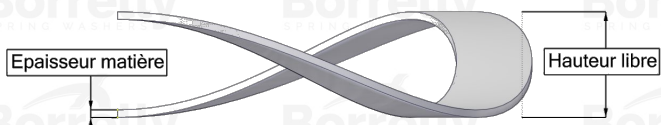
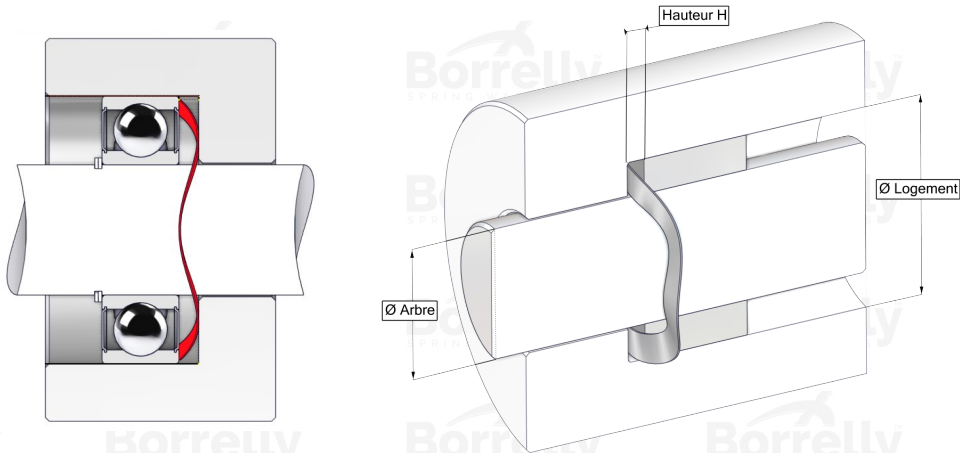


BORRELLY WAVE WASHERS



TECHNICAL SHEET CN STANDARD RANGE C75S STEEL FOR BEARING

| REFERENCE BORRELLY | CN26 |
|--------------------------------------------------------------------------|--------------------------|
| Outer diameter of the bearing (mm) | 26 |
| Borrelly part code | PDD026021020XT |
| Material | Carbon Steel C75S 1.1248 |
| Standard references for the bearing mounting on outer ring | 6000 R9-629 |
| Operates in Bore Ø min (for application other than bearing preload) (mm) | 26 |
| Clears Shaft Ø max (for application other than bearing preload) (mm) | 19.8 |
| Material thickness ±10% (mm) | 0.20 |
| Number of waves | 4 |
| Approximate free height (mm) | 1.7 |
| Working height H for CN bearing preload must be between H1 and H2 (mm) | between 0,90 and 0,50 |
| Approximate spring rate (N/mm) | 41 |