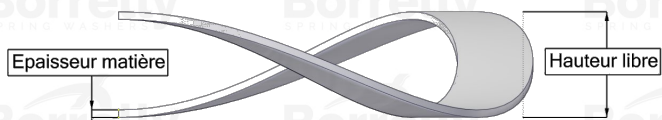
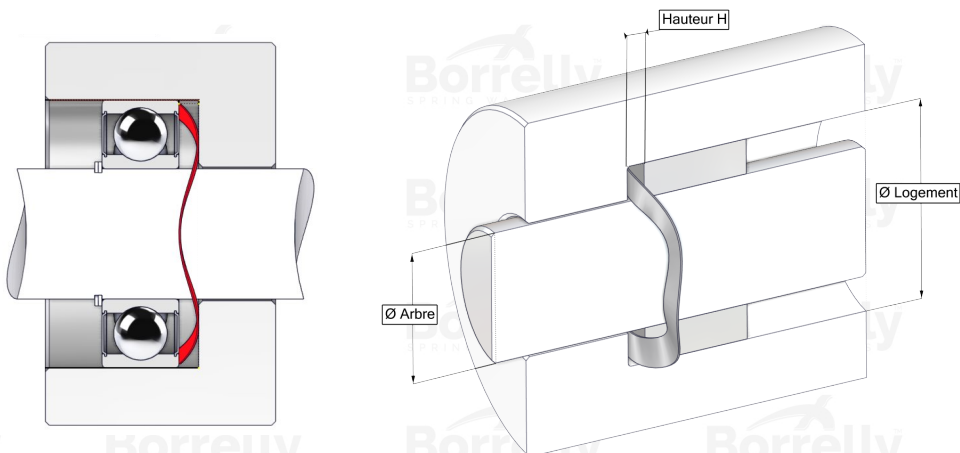


BORRELLY RONDELLES ONDULÉES



TECHNICAL SHEET CN STANDARD RANGE C75S STEEL FOR BEARING

| REFERENCE BORRELLY | CN24NF |
|--|--------------------------|
| Outer diameter of the bearing (mm) | 24 |
| Borrelly part code | PCD024019025XT |
| Material | Carbon Steel C75S 1.1248 |
| Standard references for the bearing mounting on outer ring | EL9-609 |
| Operates in Bore Ø min (for application other than bearing preload) (mm) | 24 |
| Clears Shaft Ø max (for application other than bearing preload) (mm) | 18.1 |
| Material thickness ±10% (mm) | 0.25 |
| Number of waves | 3 |
| Approximate free height (mm) | 1.9 |
| Working height H for CN bearing preload must be between H1 and H2 (mm) | between 0,90 and 0,50 |
| Approximate spring rate (N/mm) | 32 |