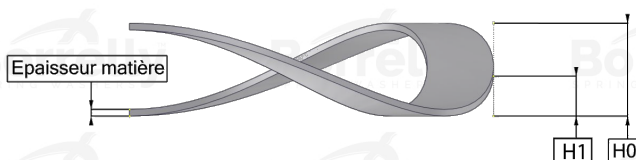
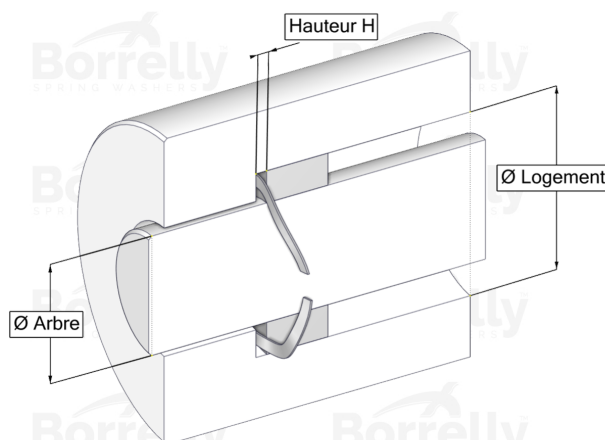
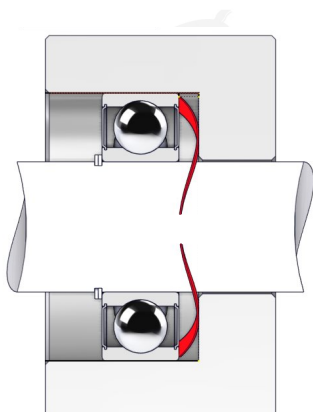


# BORRELLY ONDUFIL WAVE SPRINGS



## TECHNICAL SHEET PRECISION RANGE SINGLE TURN GAP 17-7PH STAINLESS STEEL FOR BEARING

| REFERENCE BORRELLY   | OUP80S                         |
|--|--------------------------------|
| Outer diameter of the bearing (mm)                                       | 80                             |
| Borrelly part code   | RP0804U155070I68               |
| Material   | Stainless steel 17-7 Ph 1.4568 |
| Standard references for the bearing mounting on outer ring               | 6010 6208 6307 6405            |
| Operates in Bore Ø min (for application other than bearing preload) (mm) | 80                             |
| Clears Shaft Ø max (for application other than bearing preload) (mm)     | 68.4                           |
| Approximate wire section (mm)  | 5,5 x 0,70                     |
| Number of waves  | 4                              |
| Approximate free height H0 (mm)  | 5.7                            |
| Working height H1 (mm)   | 2.80                           |
| Load P1 ±15% (N)   | 220                            |