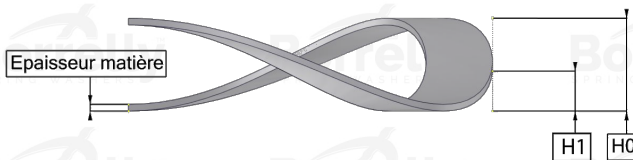
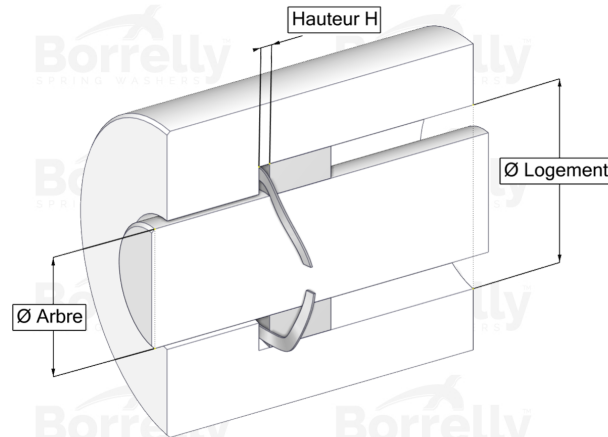
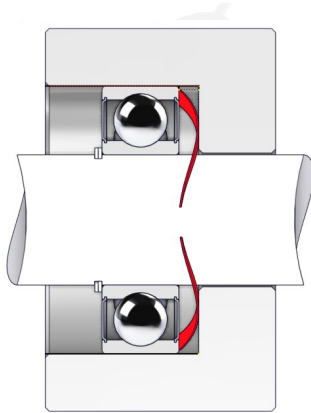


BORRELLY ONDUFIL WAVE SPRINGS



TECHNICAL SHEET PRECISION RANGE SINGLE TURN GAP 17-7PH STAINLESS STEEL FOR BEARING

REFERENCE BORRELLY	OUP24S
Outer diameter of the bearing (mm)	24
Borrelly part code	RP0243U124030I68
Material	Stainless steel 17-7 Ph 1.4568
Standard references for the bearing mounting on outer ring	EL9-609
Operates in Bore Ø min (for application other than bearing preload) (mm)	24
Clears Shaft Ø max (for application other than bearing preload) (mm)	18.8
Approximate wire section (mm)	2,4 x 0,30
Number of waves	3
Approximate free height H0 (mm)	3.4
Working height H1 (mm)	1.50
Load P1 ±15% (N)	70