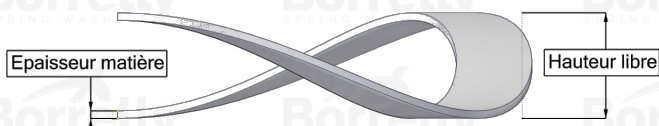
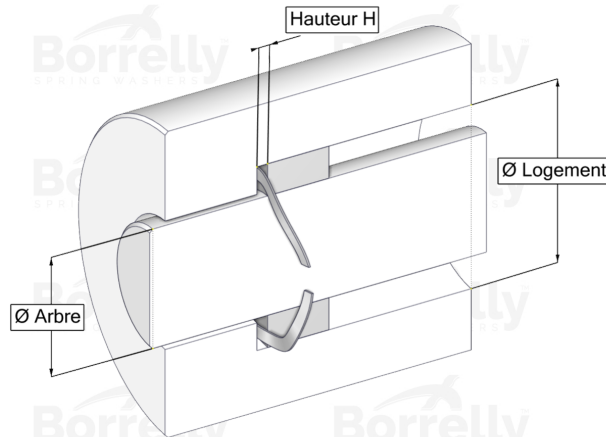
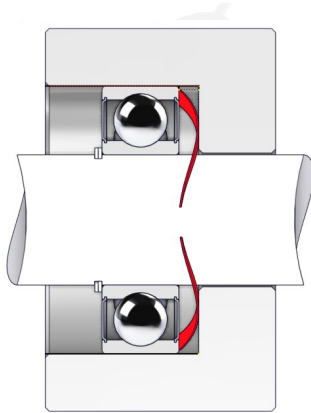


BORRELLY ONDUFIL WAVE SPRINGS



TECHNICAL SHEET STANDARD RANGE SINGLE TURN GAP 17-7PH STAINLESS STEEL FOR BEARING

| REFERENCE BORRELLY | OU120S |
|--|--------------------------------|
| Outer diameter of the bearing (mm) | 120 |
| Borrelly part code | RD1205U160080168 |
| Material | Stainless steel 17-7 Ph 1.4568 |
| Standard references for the bearing mounting on outer ring | 6213 6311 6409 |
| Operates in Bore Ø min (for application other than bearing preload) (mm) | 120.00 |
| Clears Shaft Ø max (for application other than bearing preload) (mm) | 107.0 |
| Approximate wire section (mm) | 6,0 x 0,80 |
| Number of waves | 5 |
| Approximate free height (mm) | 6.6 |
| Recommended installation height (mm) | 3.20 |
| Approximate spring rate (N/mm) | 98 |