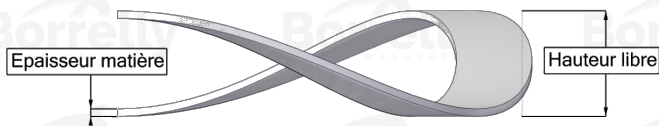
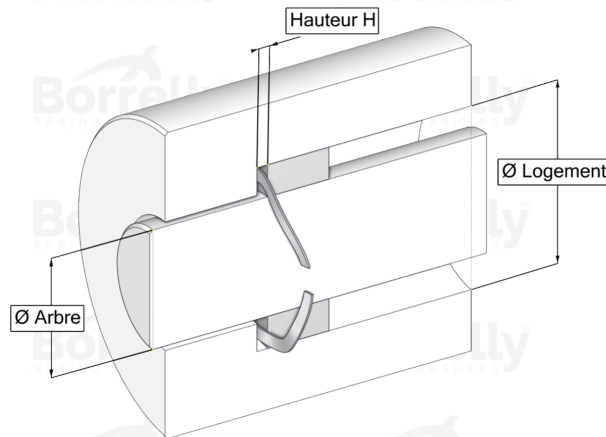
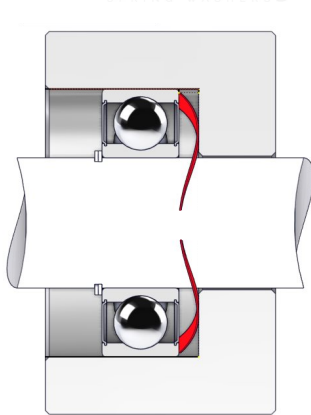


# BORRELLY RONDELLES ONDULÉES



## TECHNICAL SHEET STANDARD RANGE SINGLE TURN GAP 17-7PH STAINLESS STEEL FOR BEARING

REFERENCE BORRELLY	OU55S
Outer diameter of the bearing (mm)	55
Borrelly part code	RD0554U140060168
Material	Stainless steel 17-7 Ph 1.4568
Standard references for the bearing mounting on outer ring	6006
Operates in Bore Ø min (for application other than bearing preload) (mm)	55.00
Clears Shaft Ø max (for application other than bearing preload) (mm)	46.4
Approximate wire section (mm)	4,0 x 0,60
Number of waves	4
Approximate free height (mm)	3.5
Recommended installation height (mm)	2.35
Approximate spring rate (N/mm)	113