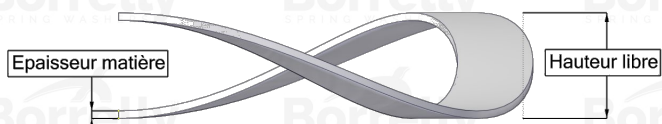
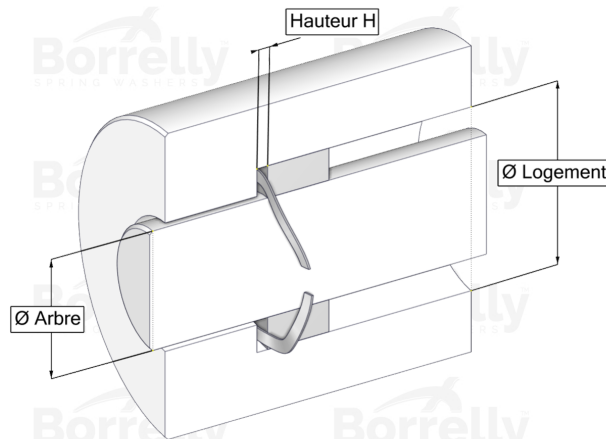
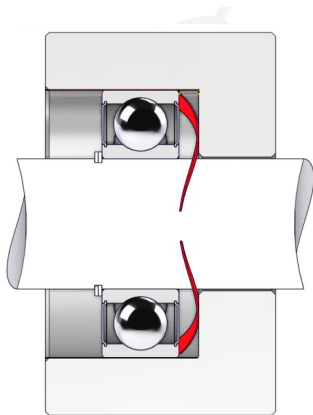


BORRELLY ONDUFIL WAVE SPRINGS



TECHNICAL SHEET STANDARD RANGE SINGLE TURN GAP 17-7PH STAINLESS STEEL FOR BEARING

REFERENCE BORRELLY	OU42S
Outer diameter of the bearing (mm)	42
Borrelly part code	RD0423U140060168
Material	Stainless steel 17-7 Ph 1.4568
Standard references for the bearing mounting on outer ring	6004 6302
Operates in Bore Ø min (for application other than bearing preload) (mm)	42.00
Clears Shaft Ø max (for application other than bearing preload) (mm)	33.4
Approximate wire section (mm)	4,0 x 0,60
Number of waves	3
Approximate free height (mm)	3.4
Recommended installation height (mm)	2.00
Approximate spring rate (N/mm)	82